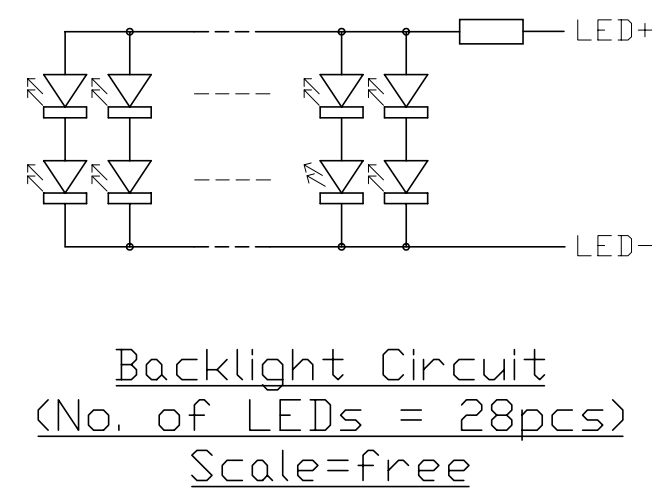
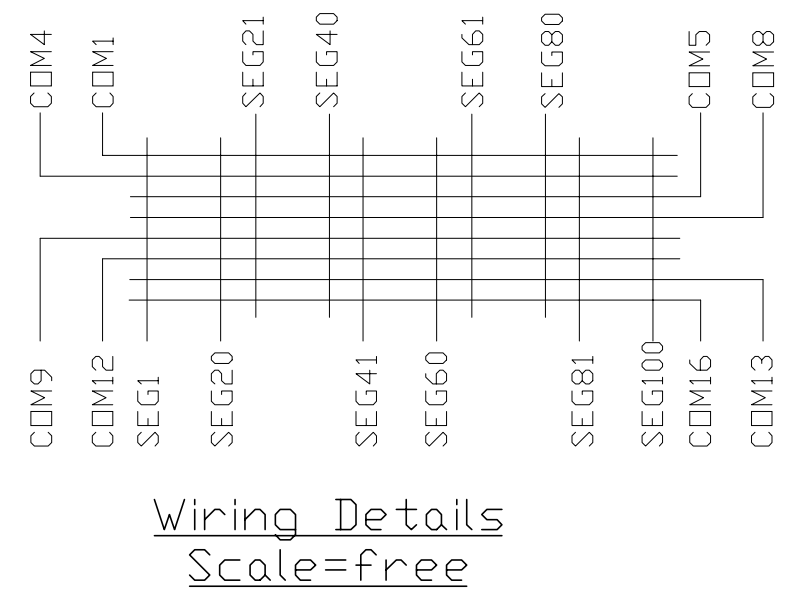
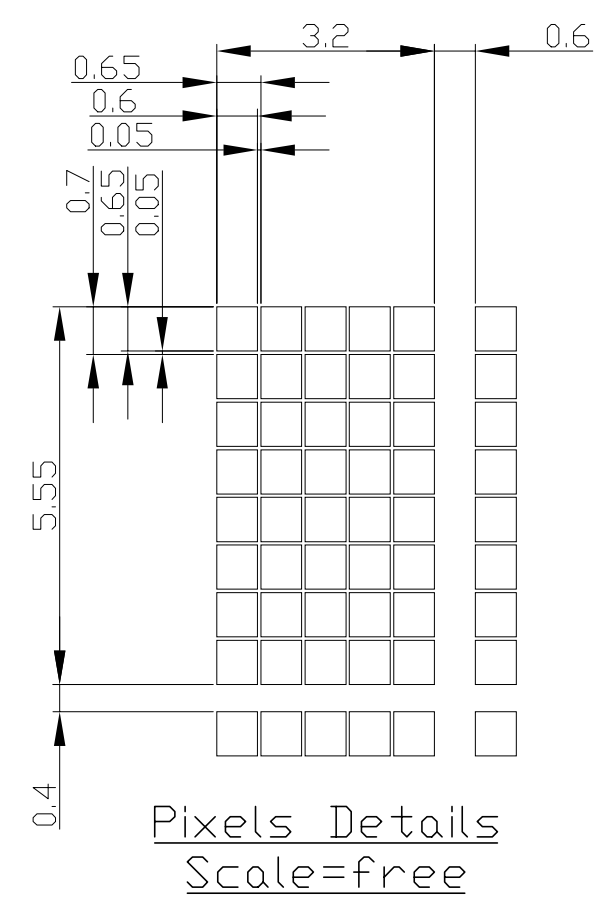
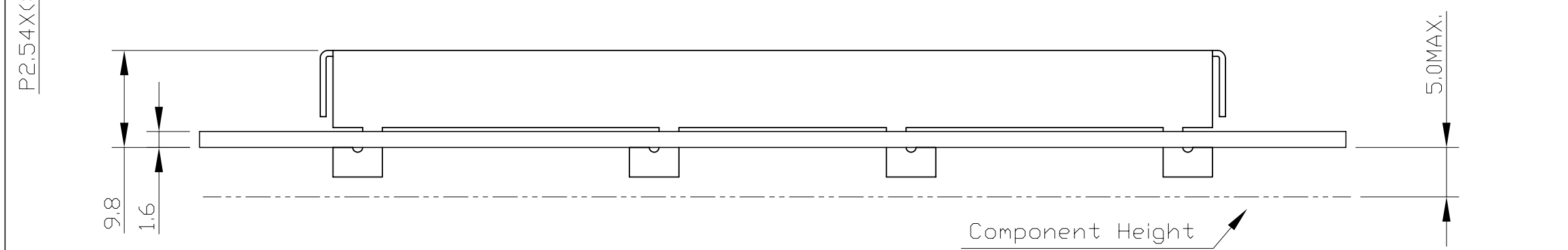


Terminal	
No.	Pin Name
1	VSS
2	VDD
3	VEE
4	RS
5	R/W
6	E
7	DB0
8	DB1
9	DB2
10	DB3
11	DB4
12	DB5
13	DB6
14	DB7
15	LED-
16	LED+



C		
B		
A		
Rev	Note	Date
Dwg Title LMB202A Outline Dwg		
Dwg No.	MK-000081-1-1	Date 18-Feb-03
Scale 2/1	Tol. ±0.5	Unit mm Paper Size A3
Approved	Checked	Drawn Yezhen

**TOPWAY**