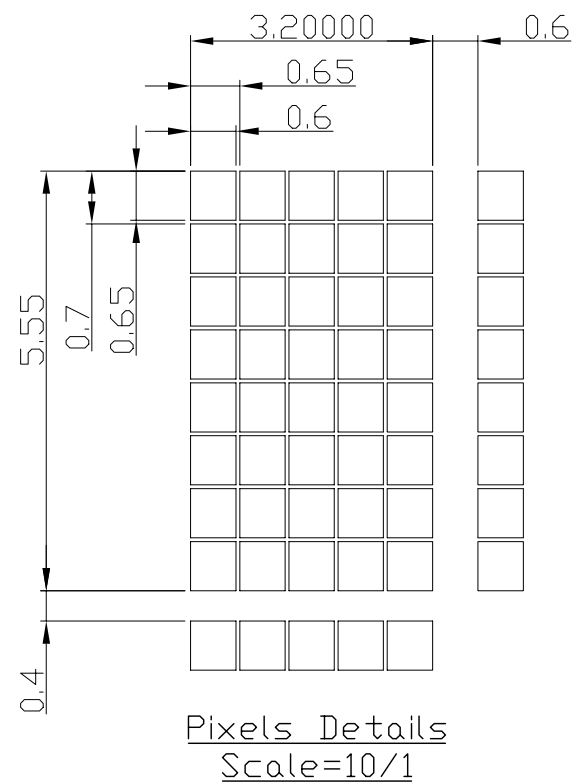
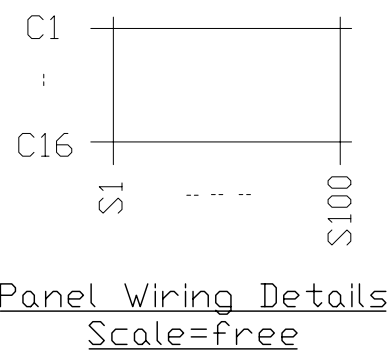
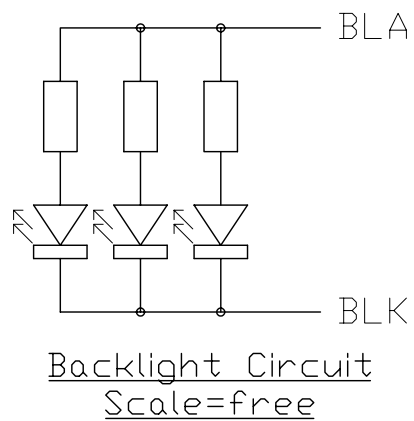
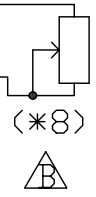


Terminal	
No.	Pin Name
1	VSS
2	VDD
3	V0
4	RS
5	R/W
6	E
7	DB0
8	DB1
9	DB2
10	DB3
11	DB4
12	DB5
13	DB6
14	DB7
15	BLA
16	BLK



- Note:
- *1. LCD Display Type : STN, Positive, Transflective
 - *2. Viewing Direction : 6H
 - *3. Duty : 1/16 ,Bais : 1/5
 - *4. Operating Voltage : 5.0V
 - *5. Backlight Color : White
 - *6. Operating Temperature : -20°C ~ 70°C
 - *7. Storage Temperature : -30°C ~ 80°C
 - *8. An external VR(5k) must be connected for Contrast Control.
 - *9. Environmental Safe Standard : RoHS

Rev	Note	Date
C		
B	-Add Note -Revise TOP & TST -Revise Dimension	Li Shuai 2006-04-12
A	-Revise Note	Li Shuai 2004-01-02

Dwg Title: LMB202DDC Outline Dwg
 Dwg No.: MK-000330b-1-1
 Date: 2003-11-27
 Scale: 2/1, Tol: ±0.5, Unit: mm, Paper Size: A3
 Approved: _____ Checked: _____ Drawn: Kenny Yuen

TOPWAY