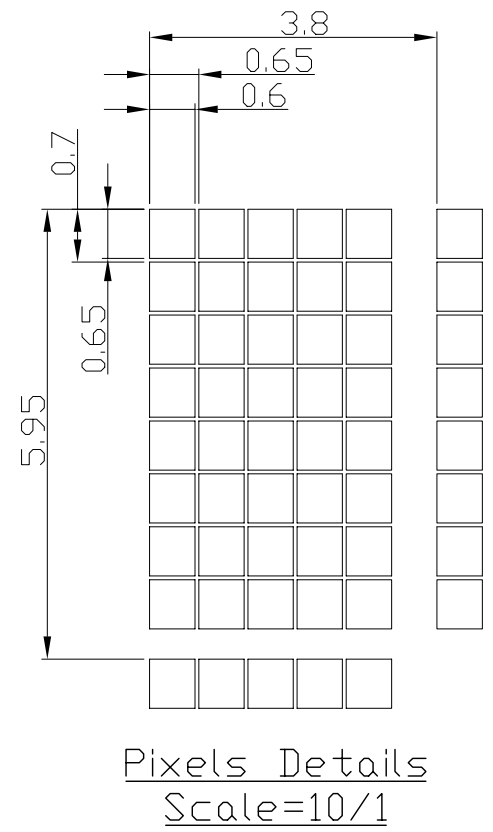
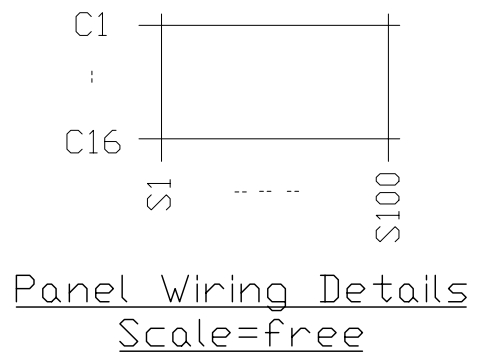
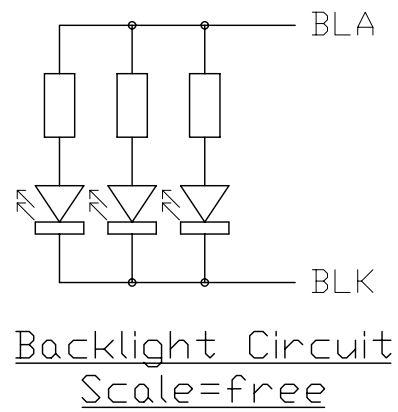
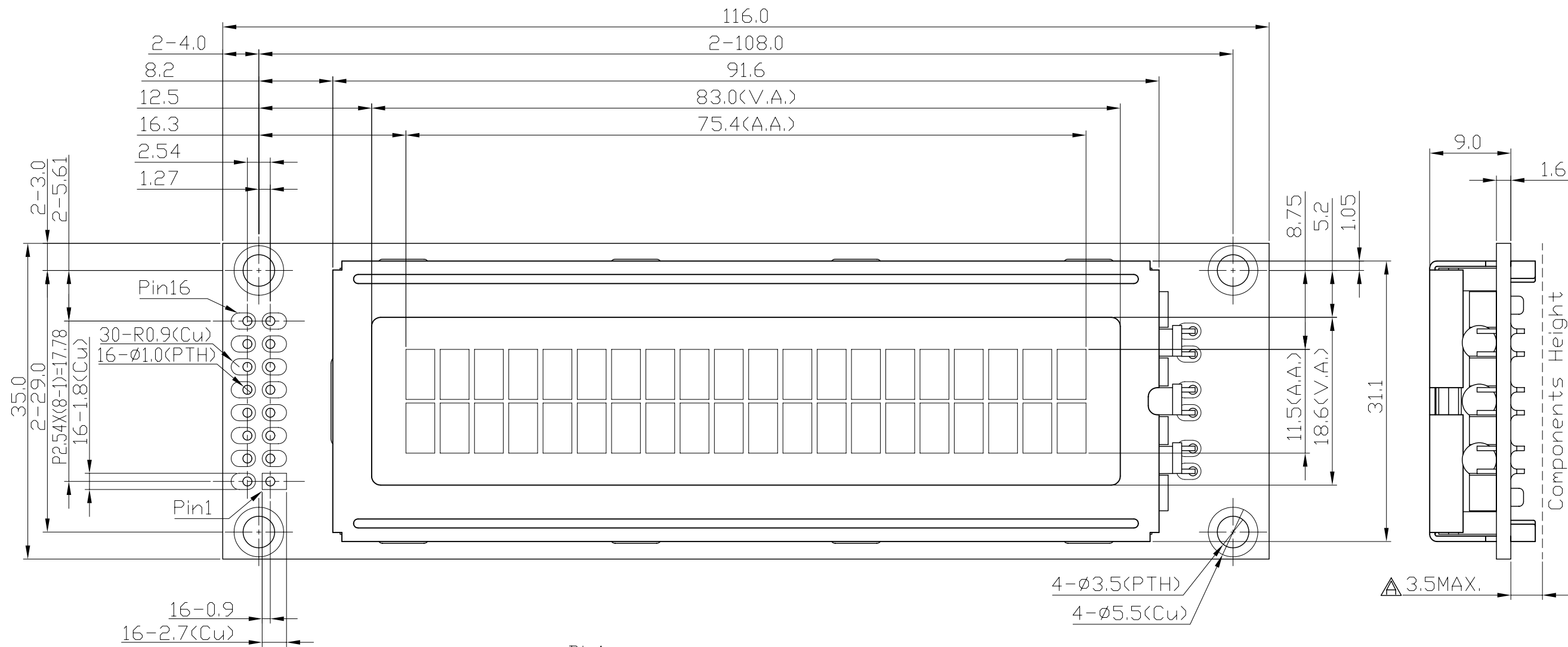


| Terminal |          |
|----------|----------|
| No.      | Pin Name |
| 1        | VSS      |
| 2        | VDD      |
| 3        | V0       |
| 4        | RS       |
| 5        | R/W      |
| 6        | E        |
| 7        | DB0      |
| 8        | DB1      |
| 9        | DB2      |
| 10       | DB3      |
| 11       | DB4      |
| 12       | DB5      |
| 13       | DB6      |
| 14       | DB7      |
| 15       | BLA      |
| 16       | BLK      |



- Note:
- \*1. LCD Display Type : STN, Negative, Transmissive  $\triangle$
  - \*2. Viewing Direction : 6H
  - \*3. LCD Driving Duty : 1/16duty
  - \*4. Backlight Color : White
  - \*5. Operating Temperature :  $-10^{\circ}\sim 60^{\circ}$
  - \*6. Storage Temperature :  $-20^{\circ}\sim 70^{\circ}$

|            |   |                        |
|------------|---|------------------------|
| C          |   |                        |
| B          |   |                        |
| A          | -Revise LCD Display Type<br>-Revise Dimension | Li Shuai<br>2005-04-18 |
| Rev/Note   |   | Date                   |
| Dwg Title  |   | LMB202DFC Outline Dwg  |
| Dwg No.    |   | MK-000346a-1-1         |
|            |   | Date<br>2004-01-02     |
| Scale      | Tol.  | Unit                   |
| 2/1        | $\pm 0.5$                                     | mm                     |
| Paper Size |   | A3                     |
| Approved   | Checked                                       | Drawn                  |
|            |   | Li Shuai               |

**TOPWAY**