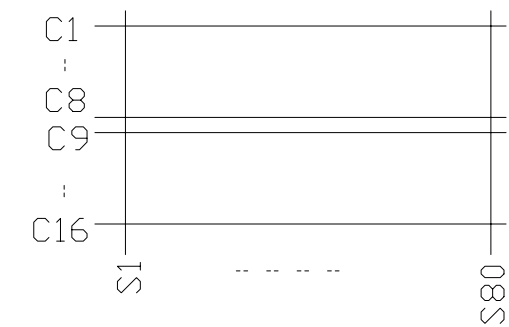
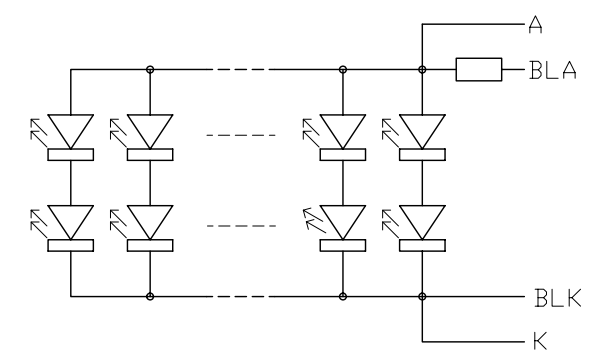


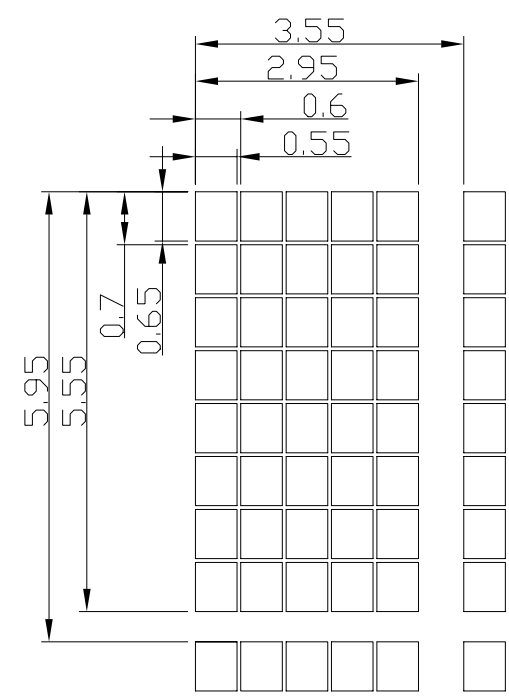
Terminal	
No.	Pin Name
1	VSS
2	VDD
3	V0
4	RS
5	R/W
6	E
7	DB0
8	DB1
9	DB2
10	DB3
11	DB4
12	DB5
13	DB6
14	DB7
15	BLA
16	BLK



Panel Wiring Details
Scale=free



Backlight Circuit
(No. of LEDs = 10x2pcs)
Scale=free



Pixels Details
Scale=10/1

- Note:
- *1. LCD Display Type : STN-YG, Positive, Transflective
 - *2. Viewing Direction : 6H
 - *3. Backlight : YG LED
 - *4. Operating Temperature : -20°~70°
 - *5. Storage Temperature : -30°~80°

Rev	Note	Date
C		
B	-Revise Metal Frame -Revise Dimension	Li Shuai 2004-11-04
A	Revise LCD location	Kenny Yuen 2004-01-30
Dwg Title		Date
LMB162HBC Outline Dwg		2003-12-29
Dwg No.	MK-000364b-1-1	Date
Scale	2/1	Tol. ±0.5
Unit	mm	Paper Size A3
Approved	Checked	Drawn Kenny Yuen

TOPWAY