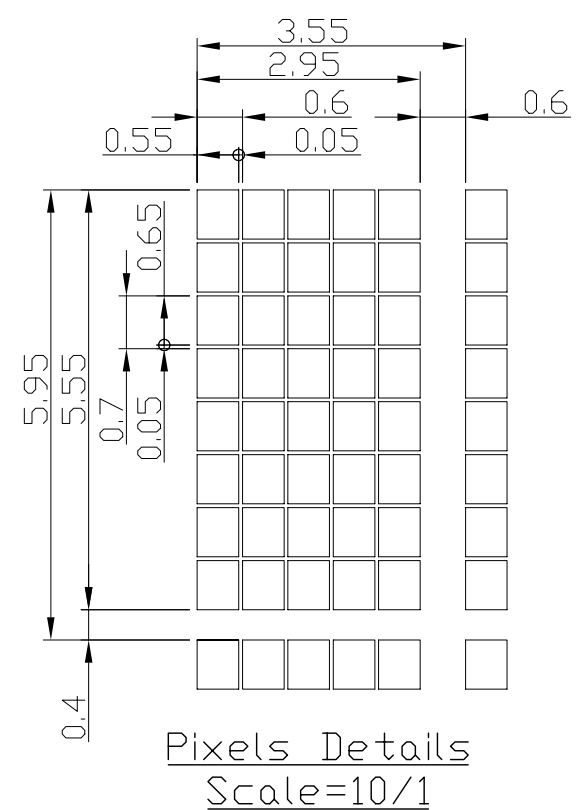
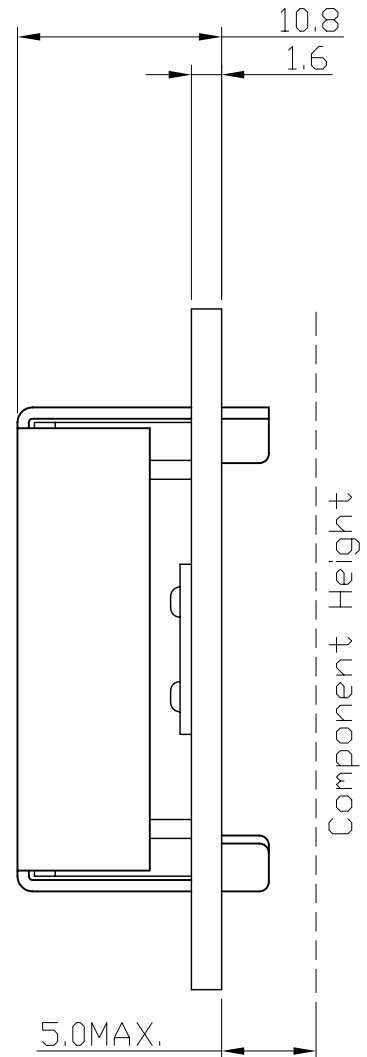
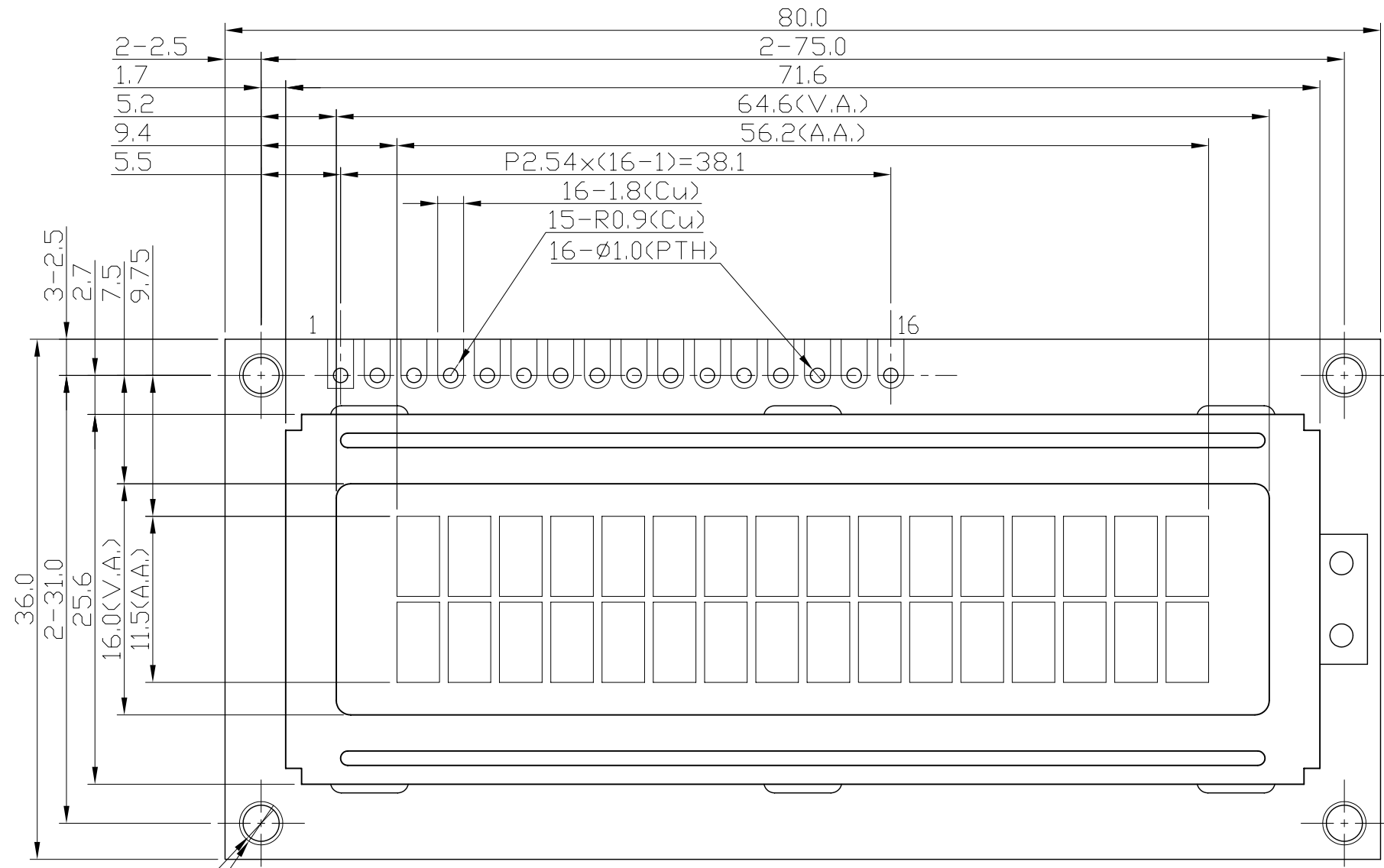
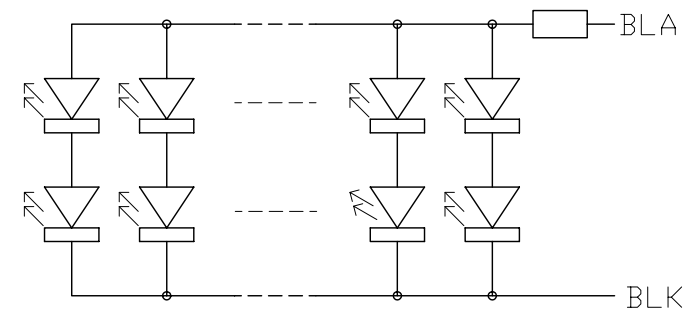


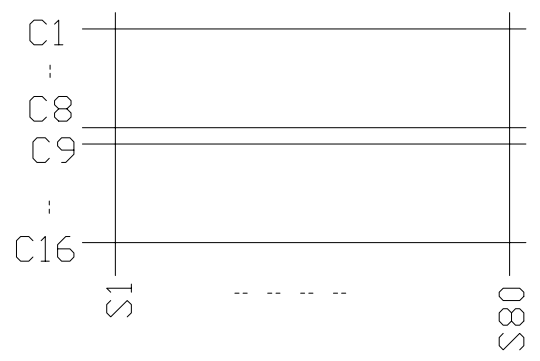
Terminal	
No.	Pin Name
1	VSS
2	VDD
3	V0
4	RS
5	R/W
6	E
7	DB0
8	DB1
9	DB2
10	DB3
11	DB4
12	DB5
13	DB6
14	DB7
15	BLA
16	BLK



- ▲ 4-Ø2.5(PTH)
- ▲ 4-Ø3.0(Cu)



Backlight Circuit
(No. of LEDs = 10x2pcs)
Scale=free



Panel Wiring Details
Scale=free

- Note:
- *1. LCD Display Type : STN, YG, Positive, Transflective
 - *2. Viewing Direction : 6H
 - *3. Backlight : YG LED
 - *4. Operating Temperature : -20°C~70°C
 - *5. Storage Temperature : -30°C~80°C

C				
B				
A	-Typing Correction		Li Shuai	2004-07-16
Rev	Note			Date
Dwg	Title			
	LMB162A Outline Dwg			
Dwg No.	MK-000392a-1-1		Date	2004-02-06
Scale	5/2	Tol.	±0.5	Unit mm
			Paper Size	A3
Approved		Checked		Drawn Li Shuai

TOPWAY