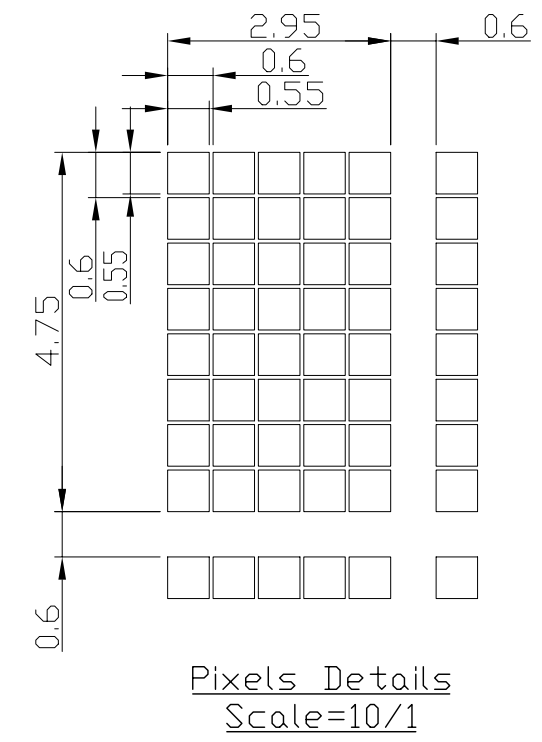
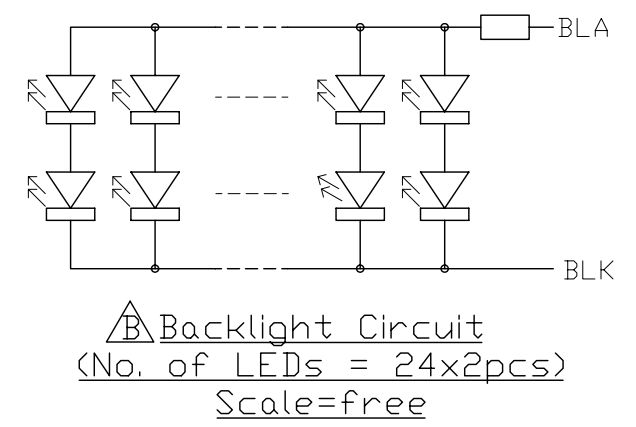


Terminal	
No.	Pin Name
1	VSS
2	VDD
3	V0
4	RS
5	R/W
6	E
7	DB0
8	DB1
9	DB2
10	DB3
11	DB4
12	DB5
13	DB6
14	DB7
15	BLA
16	BLK



- Note:
- \*1. LCD Display Type : STN-Gray, Positive, Transflective
  - \*2. Viewing Direction : 6H
  - \*3. Duty : 1/16 ,Bais : 1/5  $\triangle B$
  - \*4. Operating Voltagte : 5.0V  $\triangle B$
  - \*5. Backlight Color : YG
  - \*6. Operating Temperature : -20°C ~ 70°C
  - \*7. Storage Temperature : -30°C ~ 80°C
  - \*8. An external VR(5k) must be connected for Contrast Control.  $\triangle B$
  - \*9. Environmental Safe Standard : RoHS  $\triangle B$



C		
B	-Revise Backlight Circuit -Add Note	Li Shuai 2006-03-11
A	-Revise Dwg Title -Revise Dimension	Li Shuai 2004-11-11
Rev	Note	Date
Dwg Title LMB204BDC Outline Dwg $\triangle A$		
Dwg No.	MK-000477b-1-1	Date 2004-06-07
Scale 2/1	Tol. $\pm 0.5$	Unit mm
Approved	Checked	Paper Size A3
		Drawn Li Shuai

**TOPWAY**