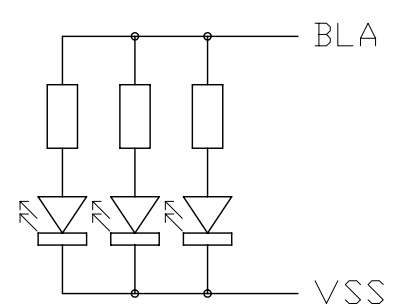
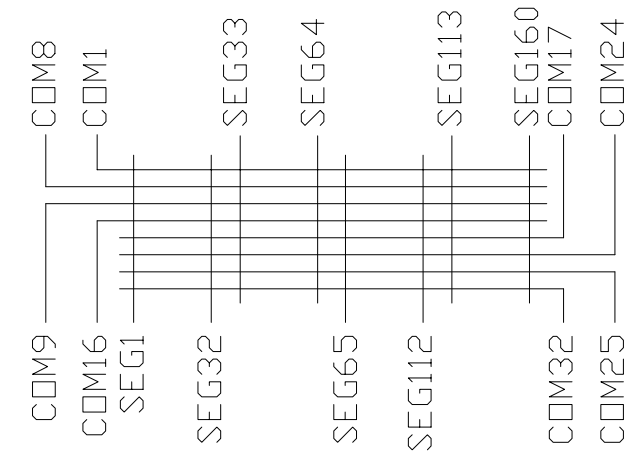


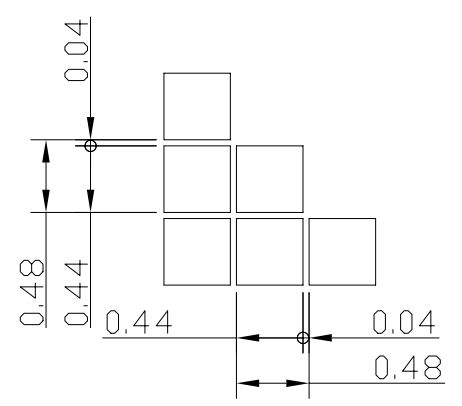
Terminal	
No.	Pin Name
1	VSS
2	VDD
3	V0
4	CS
5	SID
6	SCLK
7	NC
8	NC
9	NC
10	NC
11	NC
12	NC
13	NC
14	NC
15	BLA
16	NC



Backlight Circuit
Scale=free



Wiring Details
Scale=free



Pixels Details
Scale=20/1

- Note:
- *1. LCD Display Type : STN, Positive, Transflective, Gray
 - *2. Viewing Direction : 6H
 - *3. LCD Driving Duty : 1/33duty
 - *4. Backlight Color : White
 - *5. Operating Temperature : -20°~70°
 - *6. Storage Temperature : -30°~80°

C		
B		
A		
Rev	Note	Date
Dwg Title LM16032DDC-0B-2 Outline Dwg		
Dwg No.	MK-000526-1-1	Date 2004-07-03
Scale 2/1	Tol. ±0.5	Unit mm Paper Size A3
Approved	Checked	Drawn Li Shuai

TOPWAY