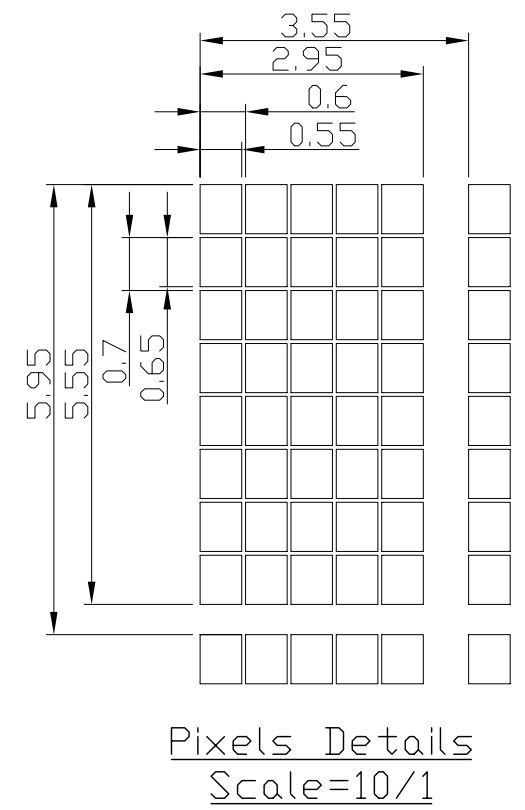
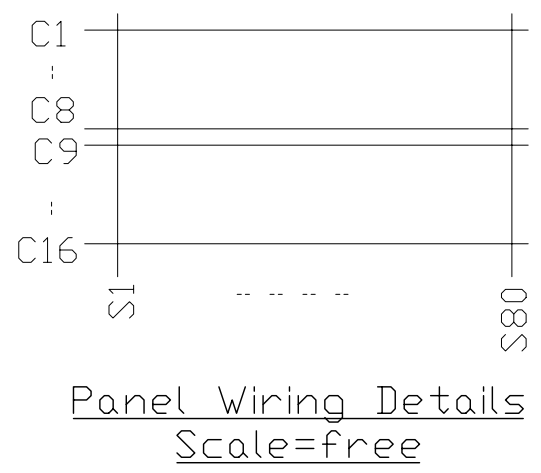
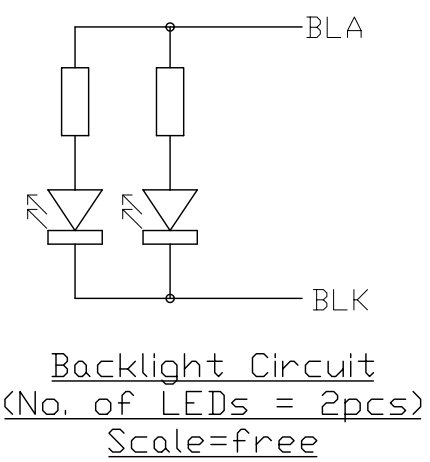


Terminal No.	Pin Name
1	VDD
2	VSS
3	V0
4	RS
5	R/W
6	E
7	DB0
8	DB1
9	DB2
10	DB3
11	DB4
12	DB5
13	DB6
14	DB7
15	BLA
16	BLK



Note:
 *1. LCD Display Type : STN-Gray, Positive, Transmissive
 *2. Viewing Direction : 6H
 *3. Operating Temperature : -20°C~70°C
 *4. Storage Temperature : -30°C~80°C

C		
B		
A	-Revise Metal Frame Height -Revise Dimension -Revise Dwg Title	Lishuai 2004-10-21
Rev/Note		Date
Dwg Title	LMB162NDC Outline Dwg	
Dwg No.	MK-000547a-1-1	Date 2004-07-16
Scale	Tol. ±0.5	Unit mm Paper Size A3
Approved	Checked	Drawn Li Shuai

TOPWAY