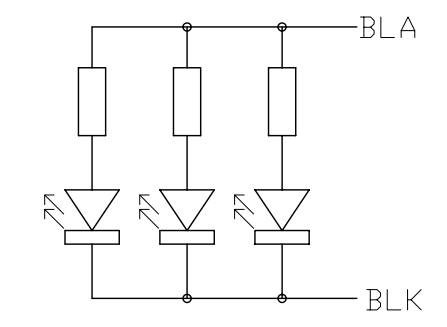
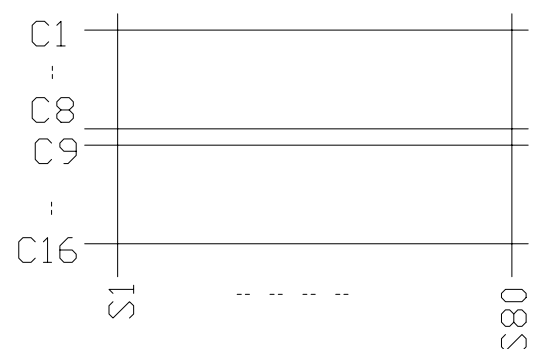


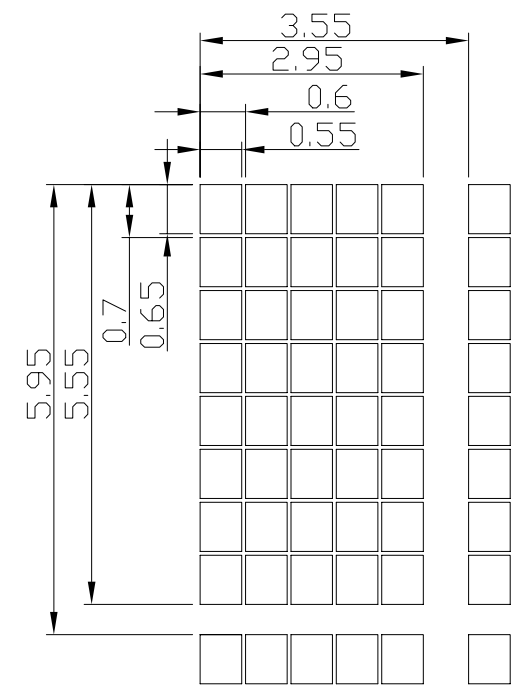
Terminal	
No.	Pin Name
1	VDD
2	VSS
3	V0
4	RS
5	R/W
6	E
7	DB0
8	DB1
9	DB2
10	DB3
11	DB4
12	DB5
13	DB6
14	DB7
15	BLA
16	BLK



Backlight Circuit  
(No. of LEDs = 3pcs)  
Scale=free



Panel Wiring Details  
Scale=free



Pixels Details  
Scale=10/1

- Note:
- \*1. LCD Display Type : STN, Negative, Transmissive
  - \*2. Viewing Direction : 6H
  - \*3. Operating Temperature : -10°C~60°C
  - \*4. Storage Temperature : -30°C~70°C

C		
B		
A	-Revise Metal Frame Height -Revise Dimension	Li Shuai 2004-10-08
Rev/Note		Date
Dwg Title	LMB162NFC Outline Dwg	
Dwg No.	MK-000592a-1-1	Date 2004-08-19
Scale	5/2	Tol. ±0.5
Unit	mm	Paper Size A3
Approved	Checked	Drawn Li Shuai

**TOPWAY**