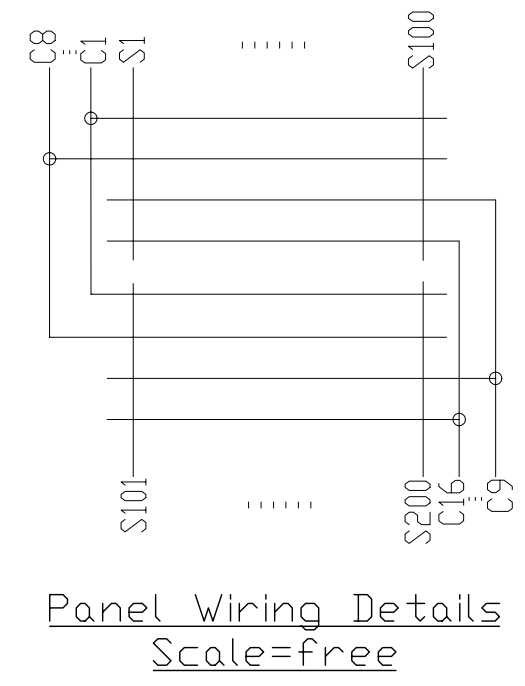
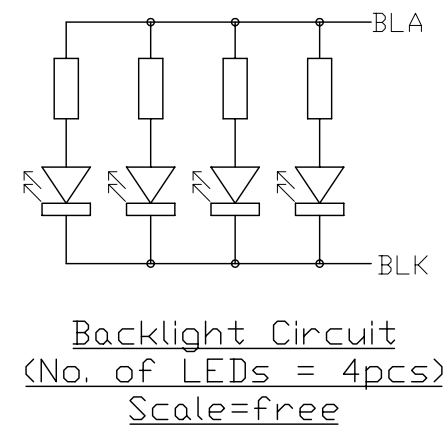
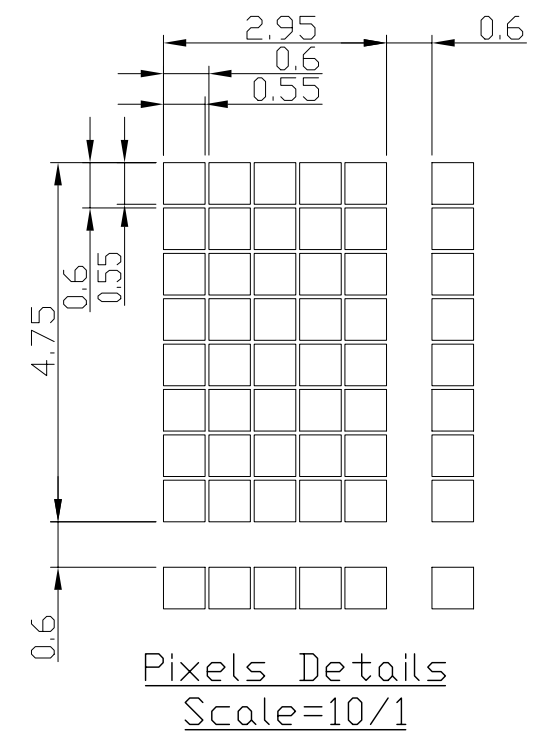


Terminal	
No.	Pin Name
1	VSS
2	VDD
3	RS
4	R/W
5	E
6	DB0
7	DB1
8	DB2
9	DB3
10	DB4
11	DB5
12	DB6
13	DB7
14	BLA
15	BLK



- Note:
- *1. LCD Display Type : STN-Gray, Postive, Transflective
 - *2. Viewing Direction : 6H
 - *3. Backlight : White
 - *4. Operating Temperature : -20°C~70°C
 - *5. Storage Temperature : -30°C~80°C
 - *6. Operating Voltgate : 3.3V

C	-Add Dimension -Add Operating Voltgate	Li Shuai 2005-05-20
B	-Revise FFC Length	Li Shuai 2005-03-01
A	Revise Terminal Pinout	Kenny Yuen 2005-01-11
Rev	Note	Date
Dwg Title LMB204CDC Outline Dwg		
Dwg No.	MK-000770c-1-1	Date 2005-01-11
Scale 2/1	Tol. ±0.5	Unit mm
Approved	Checked	Paper Size A3
		Drawn Kenny Yuen

TOPWAY