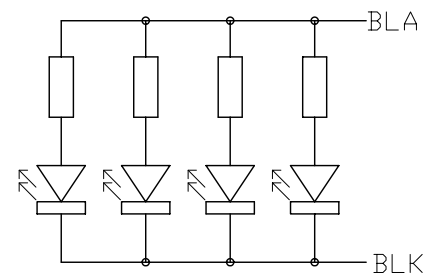
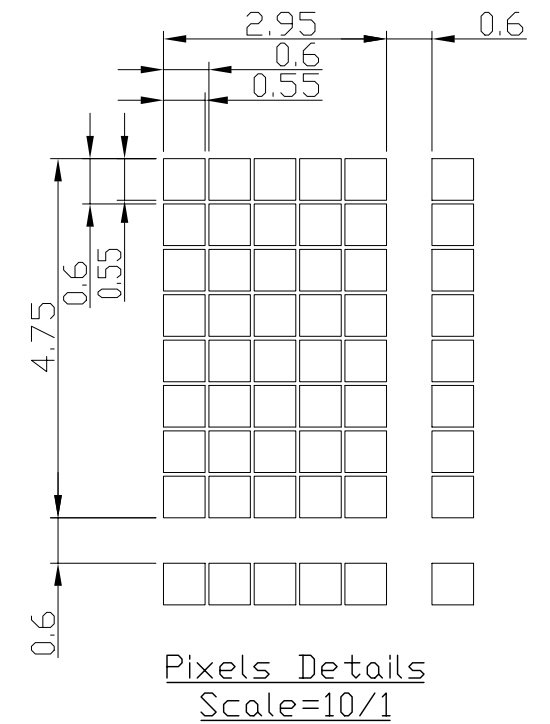
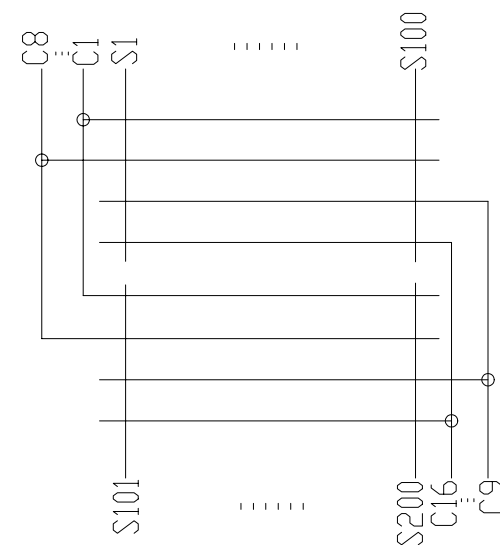


Terminal	
No.	Pin Name
1	VSS
2	VDD
3	RS
4	R/W
5	E
6	DB0
7	DB1
8	DB2
9	DB3
10	DB4
11	DB5
12	DB6
13	DB7
14	BLA
15	BLK



Backlight Circuit
(No. of LEDs = 4pcs)
Scale=free



Panel Wiring Details
Scale=free

Note:

- *1. LCD Display Type : STN, Negative, Transmissive
- *2. Viewing Direction : 6H
- *3. Operating Voltage : 3.3V
- *4. Backlight : White
- *5. Operating Temperature : -20°C~70°C
- *6. Storage Temperature : -30°C~80°C

C		
B		
A		
Rev	Note	Date
Dwg	Title	
Dwg No.	MK-000938-1-1	Date
Scale	2/1	2005-05-18
Tol.	±0.5	
Unit	mm	
Paper Size	A3	
Approved	Checked	Drawn
		Li Shuai

TOPWAY