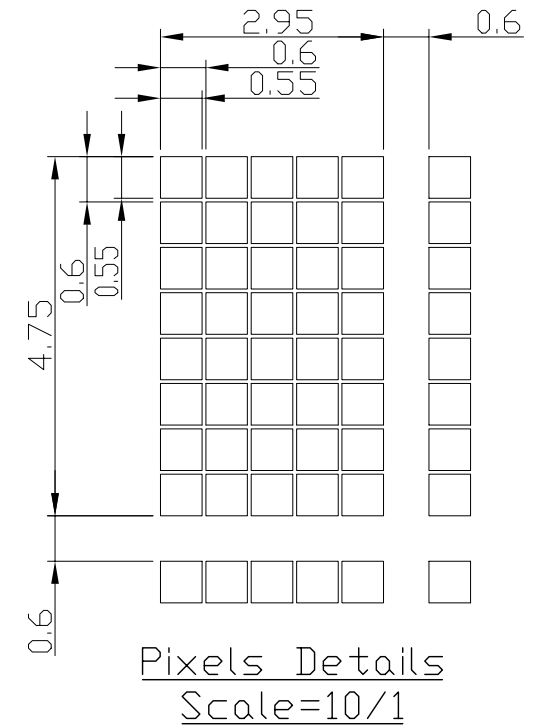
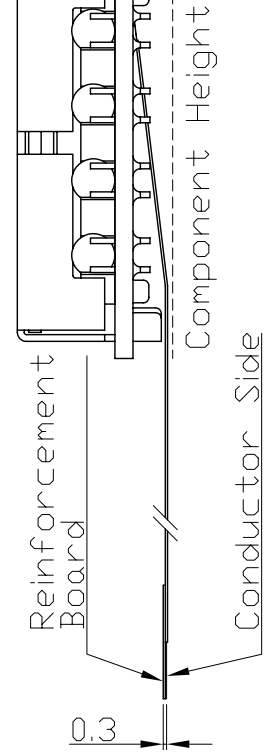
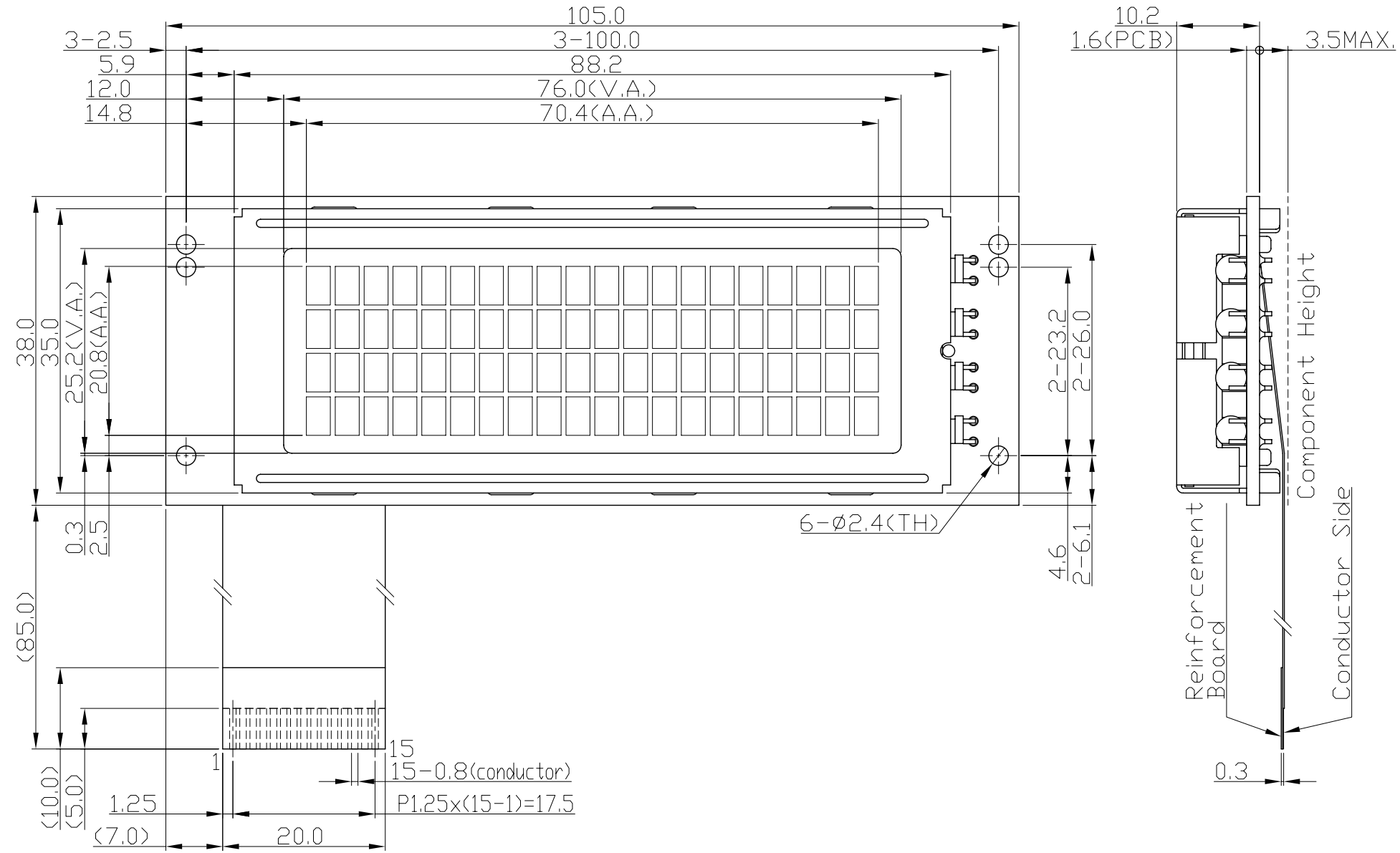
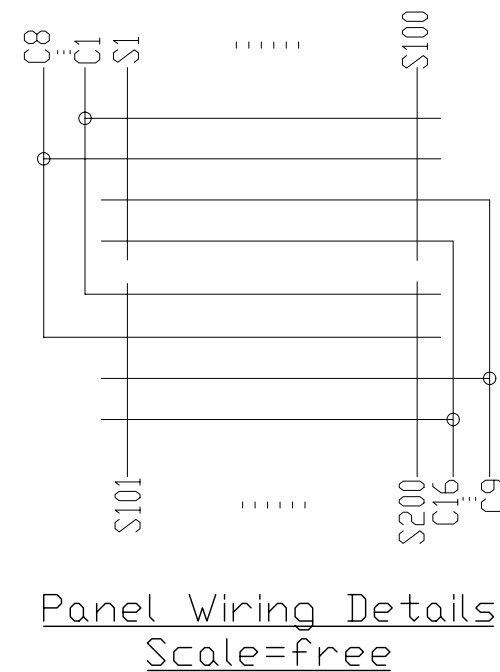
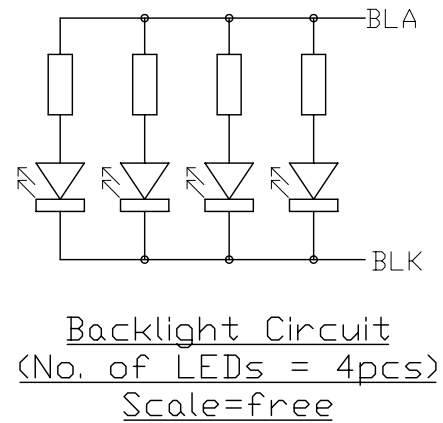


Terminal	
No.	Pin Name
1	VSS
2	VDD
3	RS
4	R/W
5	E
6	DB0
7	DB1
8	DB2
9	DB3
10	DB4
11	DB5
12	DB6
13	DB7
14	BLA
15	BLK



- Note:
- *1. LCD Display Type : STN-Gray, Postive, Transflective
 - *2. Viewing Direction : 6H
 - *3. Operating Voltatge : 5.0V
 - *4. Backlight : White
 - *5. Operating Temperature : -20°C~70°C
 - *6. Storage Temperature : -30°C~80°C



C		
B		
A		
Rev	Note	Date
Dwg	Title	LMB204CDC-2 Outline Dwg
Dwg No.	MK-000940-1-1	Date 2005-05-25
Scale	2/1	Tol. ±0.5
Unit	mm	Paper Size A3
Approved	Checked	Drawn Li Shuai

TOPWAY