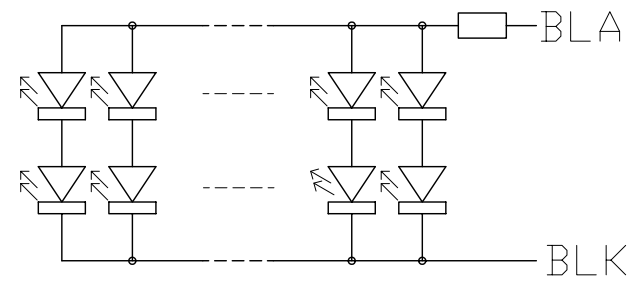
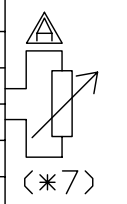
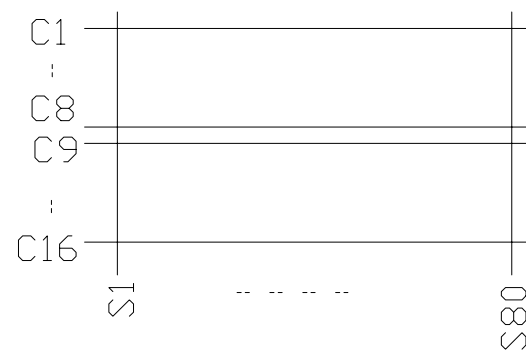


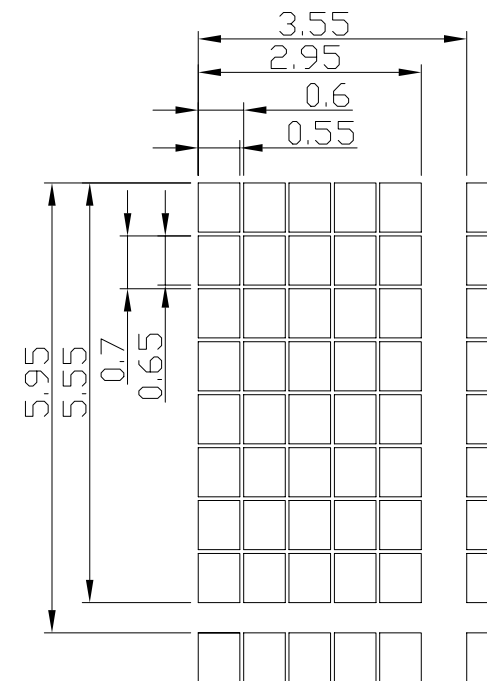
Terminal	
No.	Pin Name
1	VDD
2	VSS
3	V0
4	RS
5	R/W
6	E
7	DB0
8	DB1
9	DB2
10	DB3
11	DB4
12	DB5
13	DB6
14	DB7
15	BLA
16	BLK



Backlight Circuit
(No. of LEDs = 10x2pcs)
Scale=free



Panel Wiring Details
Scale=free



Pixels Details
Scale=10/1

- Note:
- *1. LCD Display Type : STN-YG, Positive, Transflective
 - *2. Viewing Direction : 6H
 - *3. Operating Voltage : 5.0V
 - *4. Backlight : YG LED
 - *5. Operating Temperature : -20°C~70°C
 - *6. Storage Temperature : -30°C~80°C
 - *7. An external VR(5k) must be connected for Contrast Control. ⚠

C		
B		
A	-Add Note	lishuai 2005-06-10
Rev	Note	Date
Dwg	Title	LMB162NBC Outline Dwg
Dwg No.	MK-000943a-1-1	Date 2005-05-26
Scale	Tol. ±0.5	Unit mm Paper Size A3
Approved	Checked	Drawn Li Shuai

TOPWAY