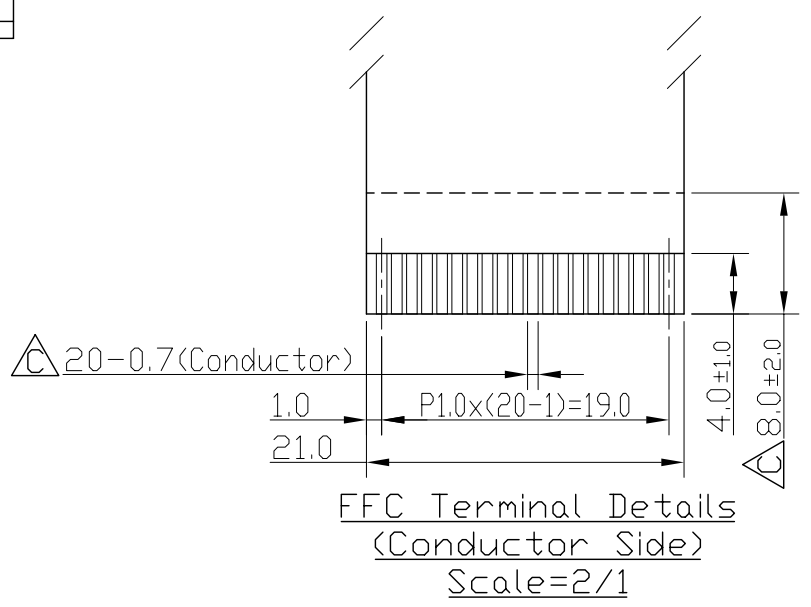


Terminal	
No.	Pin Name
1	VOUT
2	V0
3	VDD
4	VSS
5	BUSY
6	NC
7	/CS
8	RS
9	/WR
10	/RD
11	DB0
12	DB1
13	DB2
14	DB3
15	DB4
16	DB5
17	DB6
18	DB7
19	/RST
20	BLA

- Note:
- *1. LCD Display Type : FSTN, Positive, Transflective \triangle
 - *2. Viewing Direction : 6H
 - *3. Duty : 1/128
 - *4. Operating Voltage : 5.0V
 - *5. Backlight Color : White \triangle
 - *6. Built in LCD Controller : RA8803 \triangle
 - *7. Operating Temperature : -20°C ~ 70°C
 - *8. Storage Temperature : -30°C ~ 80°C
 - *9. An external VR(25k~50k) must be connected for Contrast Control



C	-Revise FFC Length -Revise FFC Dimension -Add Backlight Color	Li Shuai 2005-11-04
B	-Typing Correction	Li Shuai 2005-09-02
A	-Change Controller -Revise Terminal -Revise Dwg Title -Revise LED's No.	Li Shuai 2005-08-24
Rev/Note		Date
Dwg Title	LM1095R Outline Dwg \triangle	
Dwg No.	MK-000973c-1-1	Date 2005-06-09
Scale	3/2	Tol. ±0.5
Unit	mm	Paper Size A3
Approved	Checked	Drawn Kenny Yuen

TOPWAY