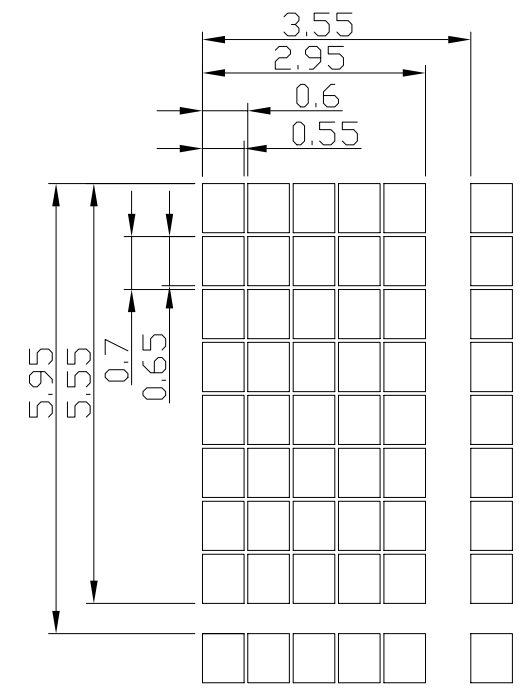
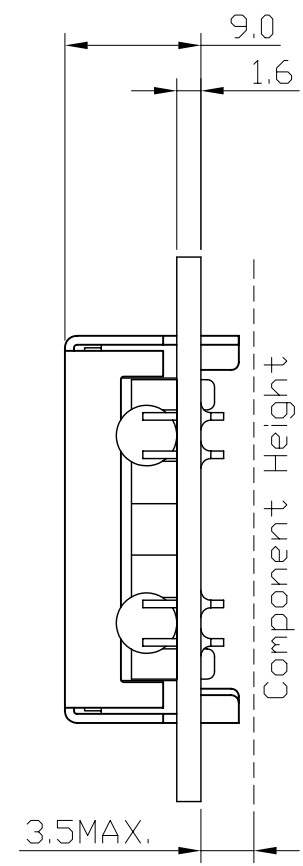
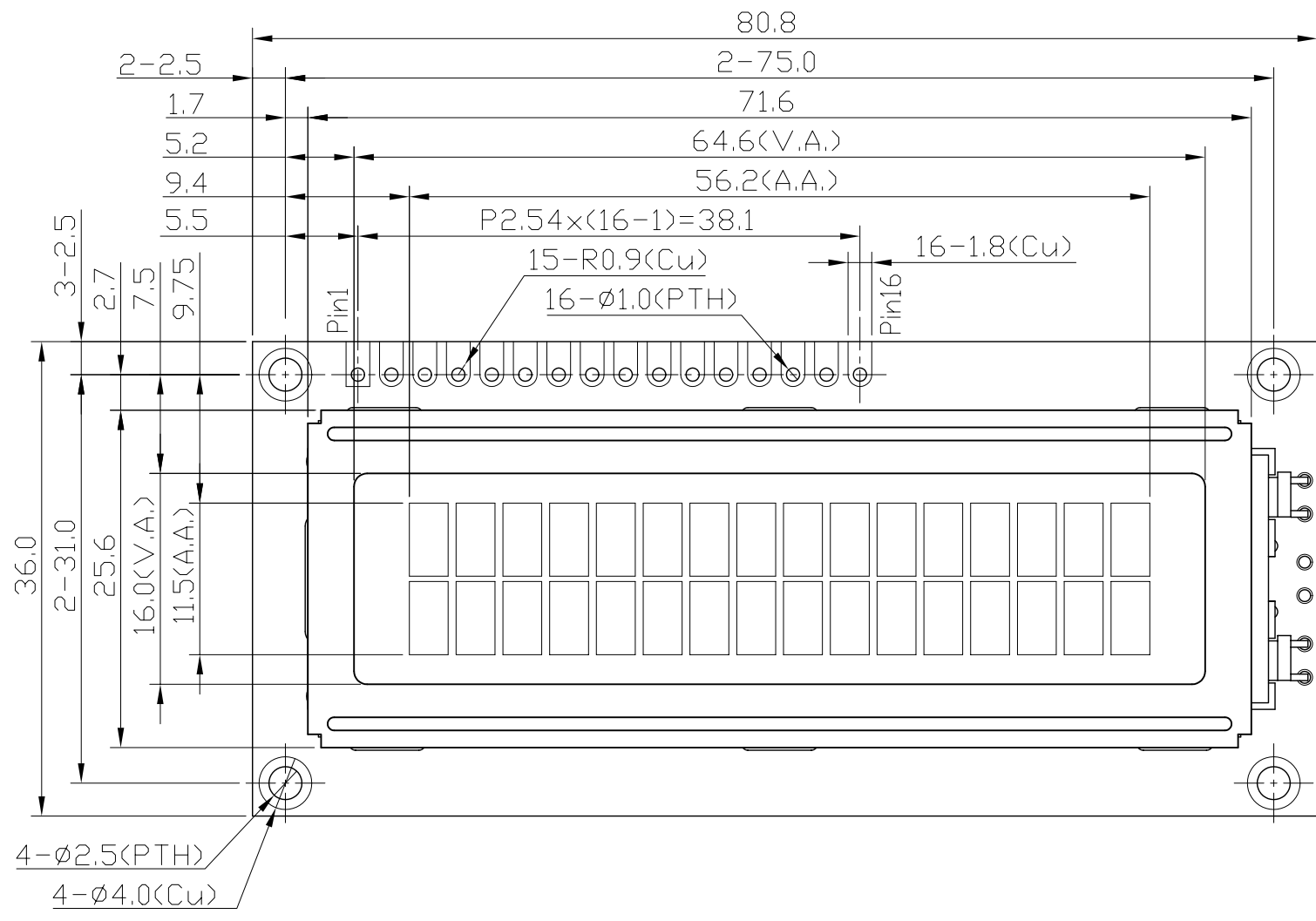
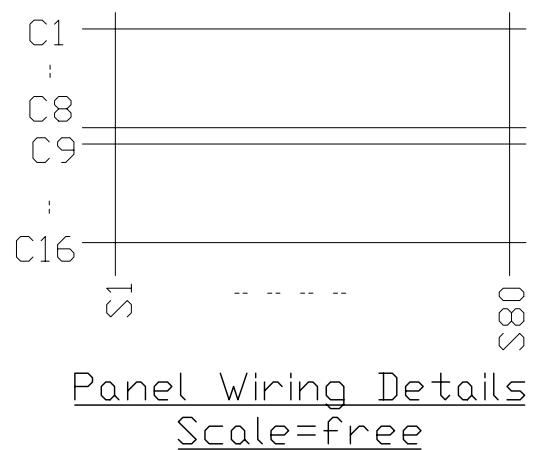
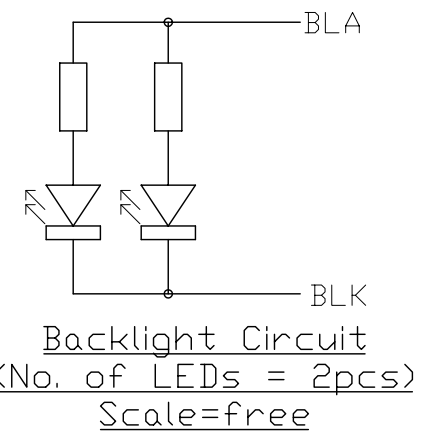


Terminal	
No.	Pin Name
1	VSS
2	VDD
3	NC
4	RS
5	R/W
6	E
7	DB0
8	DB1
9	DB2
10	DB3
11	DB4
12	DB5
13	DB6
14	DB7
15	BLA
16	BLK



Pixels Details
Scale=10/1



- Note:
- *1. LCD Display Type : STN-Gray, Positive, Transmissive
 - *2. Viewing Direction : 6H
 - *3. Duty : 1/16
 - *4. Operating Voltage : 3.3V
 - *5. Backlight Color : White
 - *6. Operating Temperature : -20°C ~ 70°C
 - *7. Storage Temperature : -30°C ~ 80°C

C				
B				
A				
Rev	Note			Date
Dwg Title LMB162ADC-2 Outline Dwg				
Dwg No. MK-000994-1-1			Date 2005-07-19	
Scale 2/1	Tol. ±0.5	Unit mm	Paper Size A3	
Approved	Checked	Drawn Li Shuai		

TOPWAY