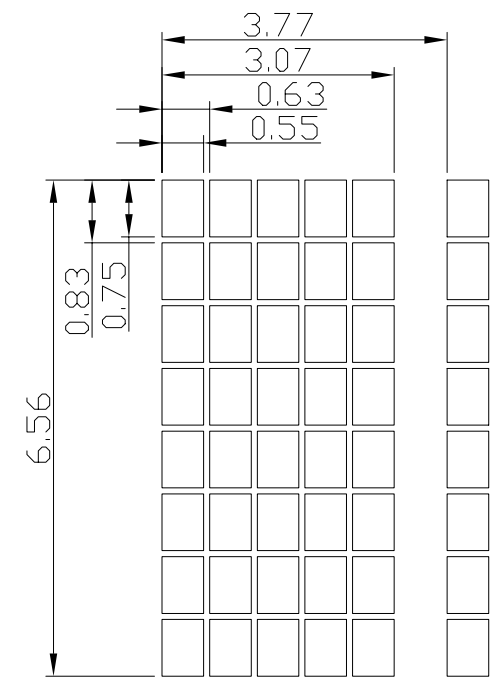
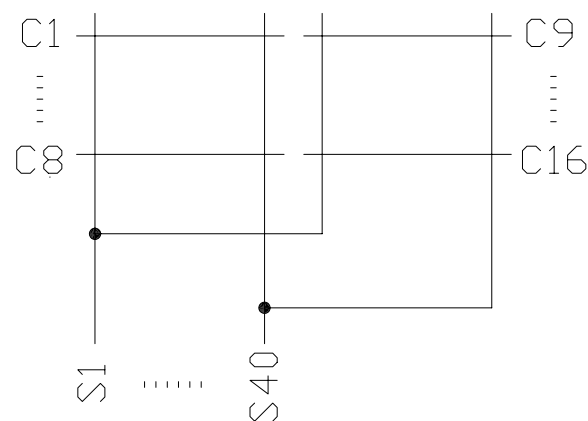


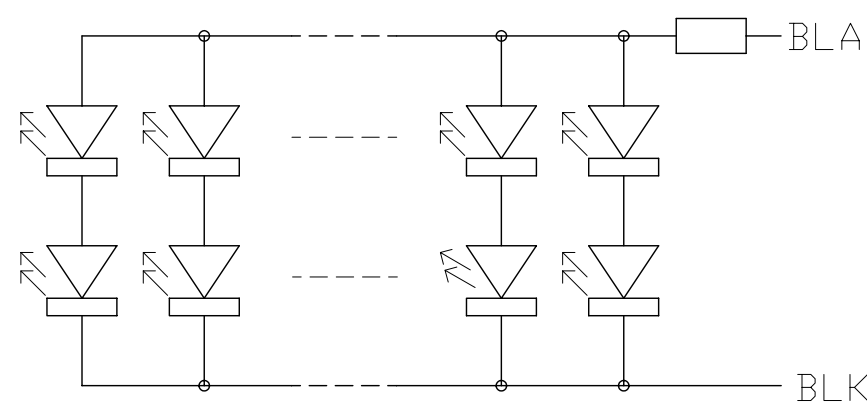
Terminal	
No.	Pin Name
1	VSS
2	VDD
3	V0
4	RS
5	R/W
6	E
7	DB0
8	DB1
9	DB2
10	DB3
11	DB4
12	DB5
13	DB6
14	DB7
15	BLA
16	BLK



Pixels Details
Scale=10/1



Panel Wiring Details
Scale=free



Backlight Circuit
(No. of LEDs = 10x2pcs)
Scale=free

Note:

- *1. LCD Display Type : STN-YG, Positive, Transflective
- *2. Viewing Direction : 6H
- *3. LCD Driving Duty : 1/16duty
- *4. Operating Voltage : 5.0V
- *4. Backlight Color : YG
- *5. Operating Temperature : -20°~70°
- *6. Storage Temperature : -30°~80°

C		
B		
A		
Rev	Note	Date
Dwg	Title	
LMB161ABC-1 Outline Dwg		
Dwg No.	MK-001044-1-1	Date
		2005-09-03
Scale	Tol.	Unit
5/2	±0.5	mm
Approved	Checked	Paper Size
		A3
		Drawn
		Li Shuai

TOPWAY