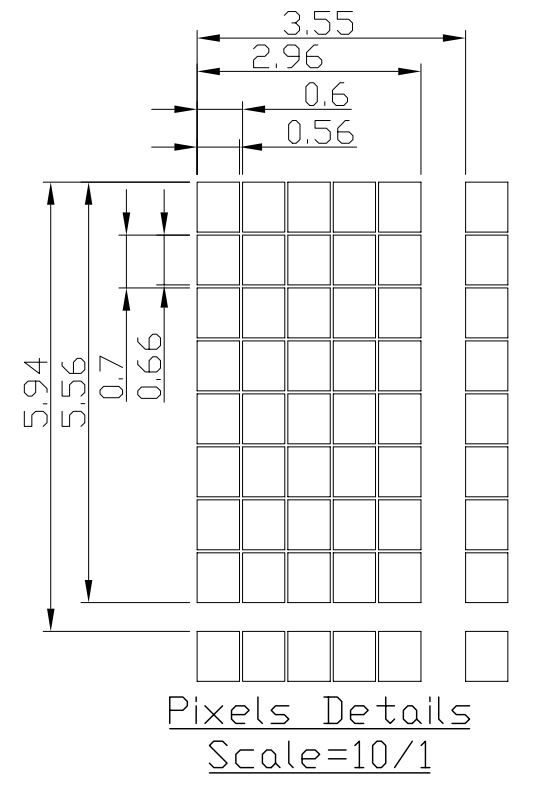
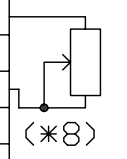
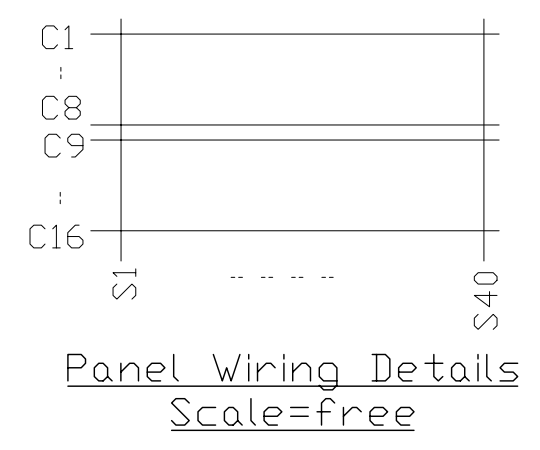
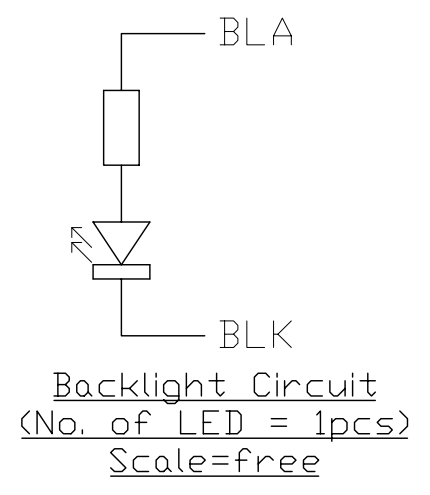


No.	Pin Name
1	VSS
2	VDD
3	V0
4	RS
5	R/W
6	E
7	DB0
8	DB1
9	DB2
10	DB3
11	DB4
12	DB5
13	DB6
14	DB7
15	BLA
16	BLK



Note:

- \*1. LCD Display Type : STN-Gray, Positive, Transflective
- \*2. Viewing Direction : 6H
- \*3. Duty : 1/16 ,Bais : 1/5
- \*4. Operating Voltagte : 5.0V
- \*5. Backlight Color : White
- \*6. Operating Temperature : -20°C ~ 70°C
- \*7. Storage Temperature : -30°C ~ 80°C
- \*8. An external VR(5k) must be connected for Contrast Control.



C		
B		
A		
Rev	Note	Date
Dwg Title LMB0820CDC-1 Outline Dwg		
Dwg No.	MK-001076-1-1	Date 2005-10-10
Scale 3/1	Tol. $\pm$ 0.5	Unit mm Paper Size A3
Approved	Checked	Drawn Li Shuai

**TOPWAY**