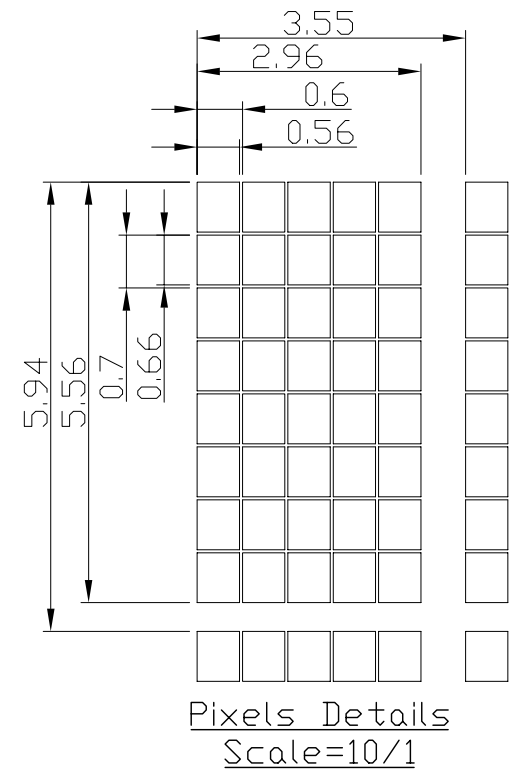
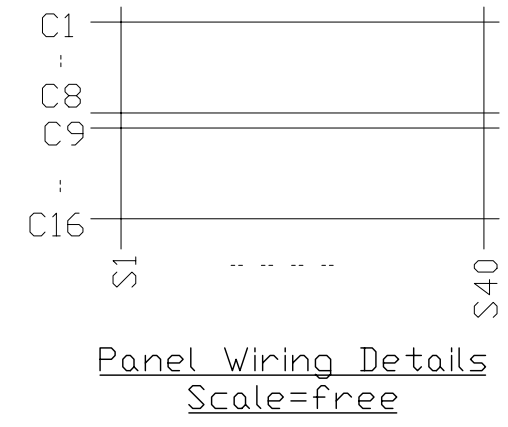
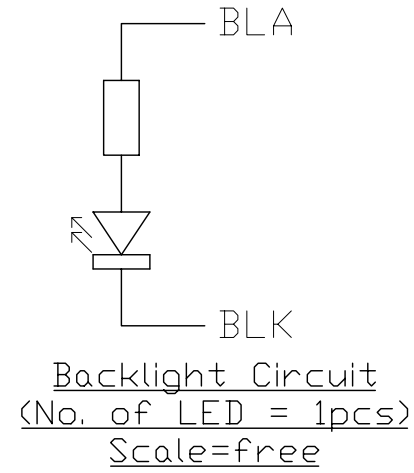


Terminal	
No.	Pin Name
1	VSS
2	VDD
3	NC
4	RS
5	R/W
6	E
7	DB0
8	DB1
9	DB2
10	DB3
11	DB4
12	DB5
13	DB6
14	DB7
15	BLA
16	BLK



Pixels Details  
Scale=10/1

- Note:
- \*1. LCD Display Type : STN-Gray, Positive, Transflective
  - \*2. Viewing Direction : 6H
  - \*3. Duty : 1/16 ,Bais : 1/5
  - \*4. Operating Voltage : 3.3V
  - \*5. Backlight Color : White
  - \*6. Operating Temperature : -20°C ~ 70°C
  - \*7. Storage Temperature : -30°C ~ 80°C



C				
B				
A				
Rev	Note	Date		
Dwg Title LMB0820CDC-3 Outline Dwg				
Dwg No. MK-001129-1-1			Date 2005-12-21	
Scale 3/1	Tol. ±0.5	Unit mm	Paper Size A3	
Approved	Checked	Drawn Li Shuai		

**TOPWAY**