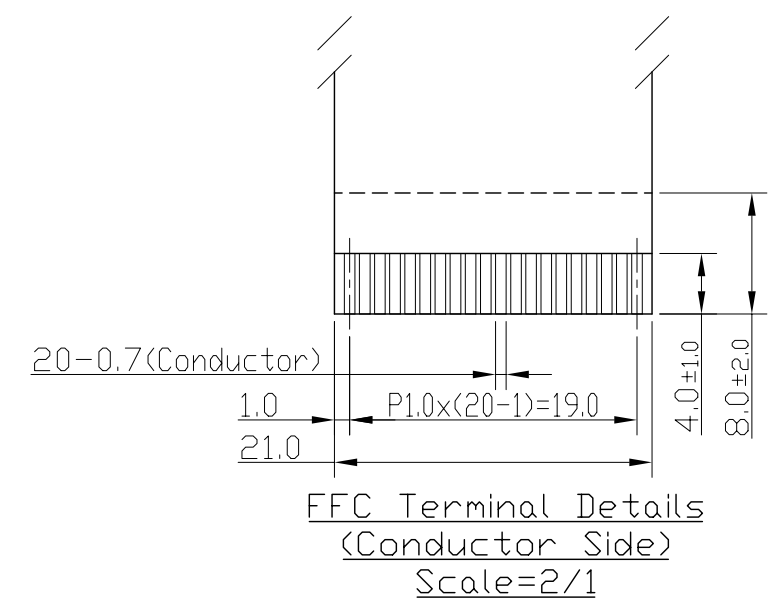
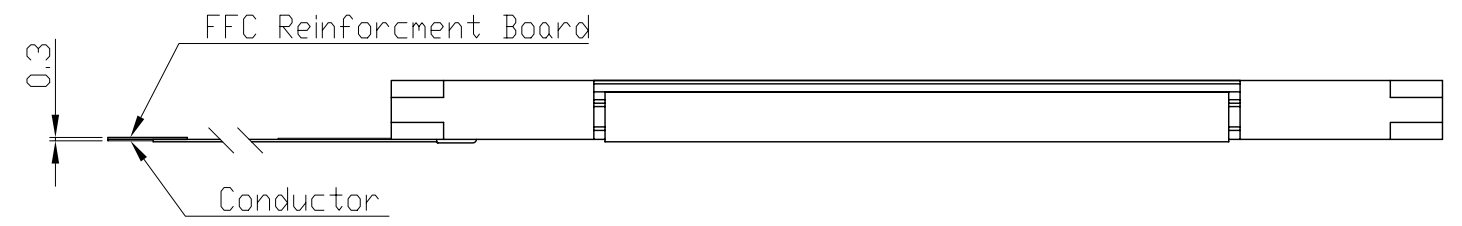


Terminal	
No.	Pin Name
1	VOUT
2	V0
3	VDD
4	VSS
5	BUSY
6	NC
7	/CS
8	RS
9	/WR
10	/RD
11	DB0
12	DB1
13	DB2
14	DB3
15	DB4
16	DB5
17	DB6
18	DB7
19	/RST
20	BLA



- Note:
- *1. LCD Display Type : STN, Negative, Transmissive
 - *2. Viewing Direction : 6H
 - *3. Duty : 1/128
 - *4. Operating Voltage : 5.0V
 - *5. Backlight Color : White
 - *6. Built in LCD Controller : RA8803
 - *7. Operating Temperature : -20°C ~ 70°C
 - *8. Storage Temperature : -30°C ~ 80°C
 - *9. An external VR(25k~50k) must be connected for Contrast Control

C			
B			
A			
Rev	Note	Date	
Dwg Title LM1095R-1 Outline Dwg			
Dwg No.	MK-001130-1-1	Date	2005-12-21
Scale	3/2	Tol.	±0.5
Unit	mm	Paper Size	A3
Approved	Checked	Drawn Li Shuai	

TOPWAY