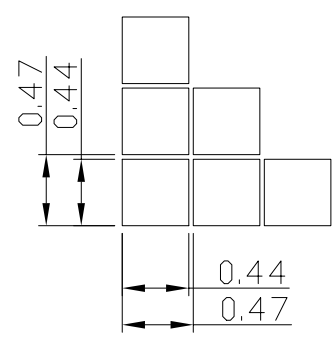
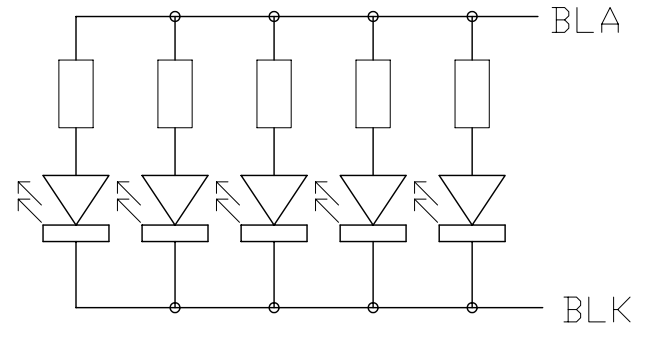


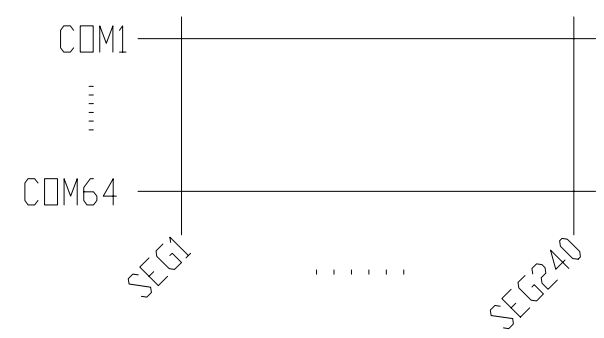
Terminal(K1)	
No.	Pin Name
1	VOUT
2	V0
3	VSS
4	VDD
5	BUSY
6	NC
7	/CS
8	RS
9	/WR
10	/RD
11	DB0
12	DB1
13	DB2
14	DB3
15	DB4
16	DB5
17	DB6
18	DB7
19	/RST
20	NC
21	BLA
22	BLK



Pixel Details
Scale=20/1



Backlight Circuit
(No. of LEDs = 5pcs)
Scale=free



Wiring Details(Top View)
Scale=Free

- Note:
- *1. Display Type : STN-Gray, Positive, Transflective
 - *2. Viewing Direction : 6H
 - *3. Duty : 1/64, Bias : 1/9
 - *4. Backlight Color : White
 - *5. Operating Voltage : 5.0V
 - *6. Operating Temperature : -20°C~70°C
 - *7. Storage Temperature : -30°C~80°C
 - *8. Controller IC : RA8803
 - *9. An external VR(25K to 50K) must be connected for Contrast Control

C		
B		
A		
Rev	Note	Date
Dwg Title LM24064KDC Outline Dwg		
Dwg No.	MK-001161-1-1	Date 2006-03-06
Scale 3/2	Tol. ±0.5	Unit mm Paper Size A3
Approved	Checked	Drawn Li Shuai

TOPWAY