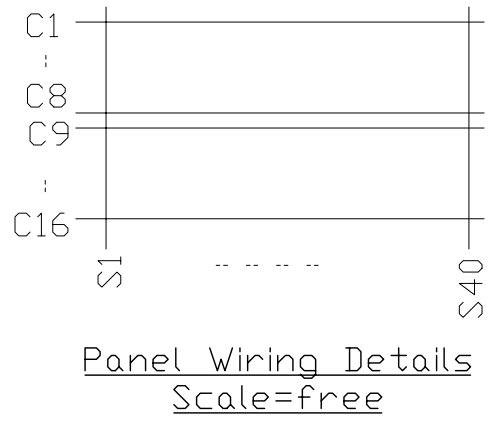
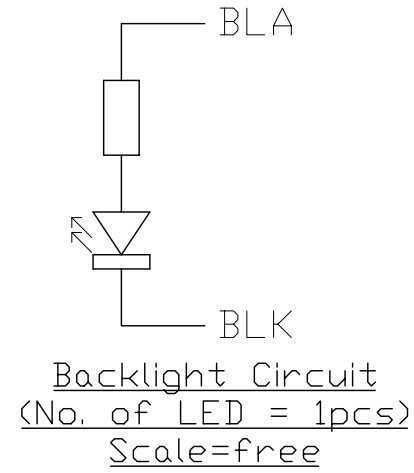
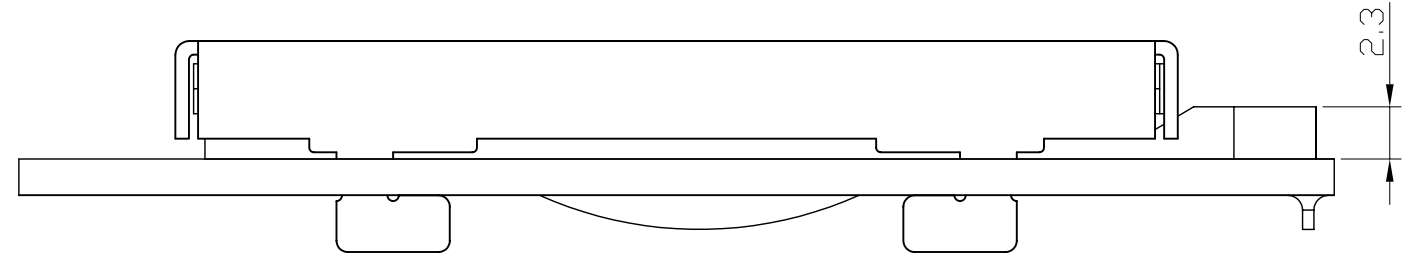
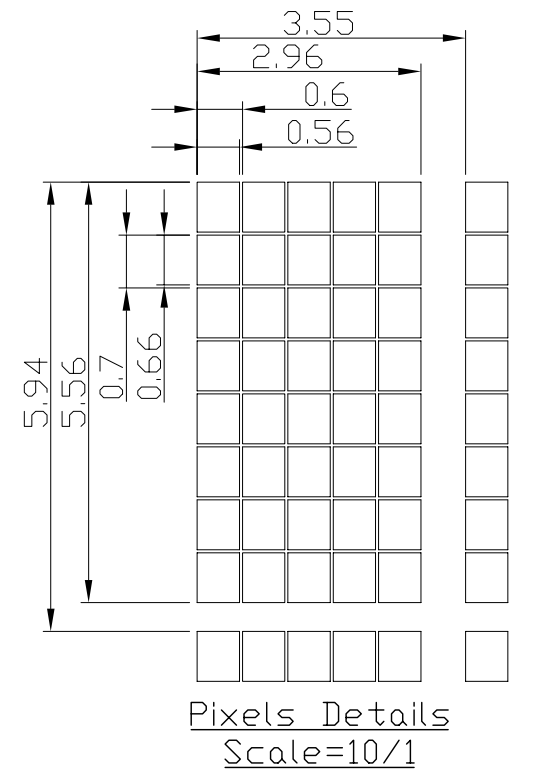
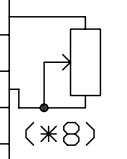


Terminal	
No.	Pin Name
1	VSS
2	VDD
3	V0
4	RS
5	R/W
6	E
7	DB0
8	DB1
9	DB2
10	DB3
11	DB4
12	DB5
13	DB6
14	DB7
15	BLA
16	BLK



- Note:
- \*1. LCD Display Type : STN, Negative, Transmissive
  - \*2. Viewing Direction : 6H
  - \*3. Duty : 1/16 ,Bais : 1/5
  - \*4. Operating Voltage : 5.0V
  - \*5. Backlight Color : White
  - \*6. Operating Temperature : -20°C ~ 70°C
  - \*7. Storage Temperature : -30°C ~ 80°C
  - \*8. An external VR(5k) must be connected for Contrast Control.

C				
B				
A				
Rev	Note	Date		
Dwg	Title	LMB0820CFC Outline Dwg		
Dwg No.	MK-001195-1-1	Date	2006-03-04	
Scale	3/1	Tol.	±0.5	Unit mm Paper Size A3
Approved		Checked		Drawn Li Shuai
<b>TOPWAY</b>				