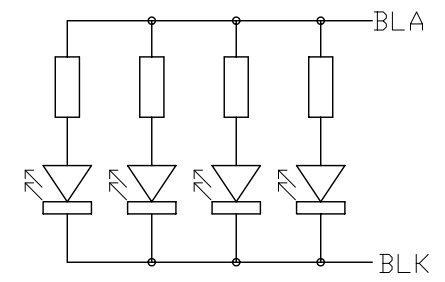
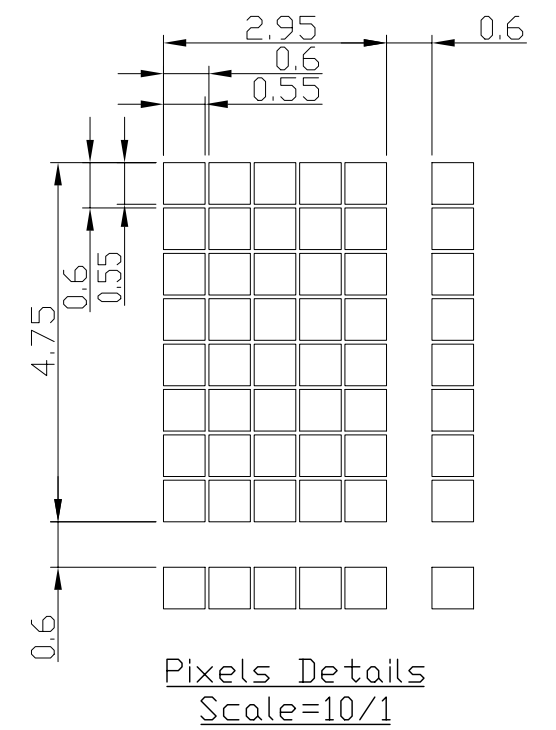
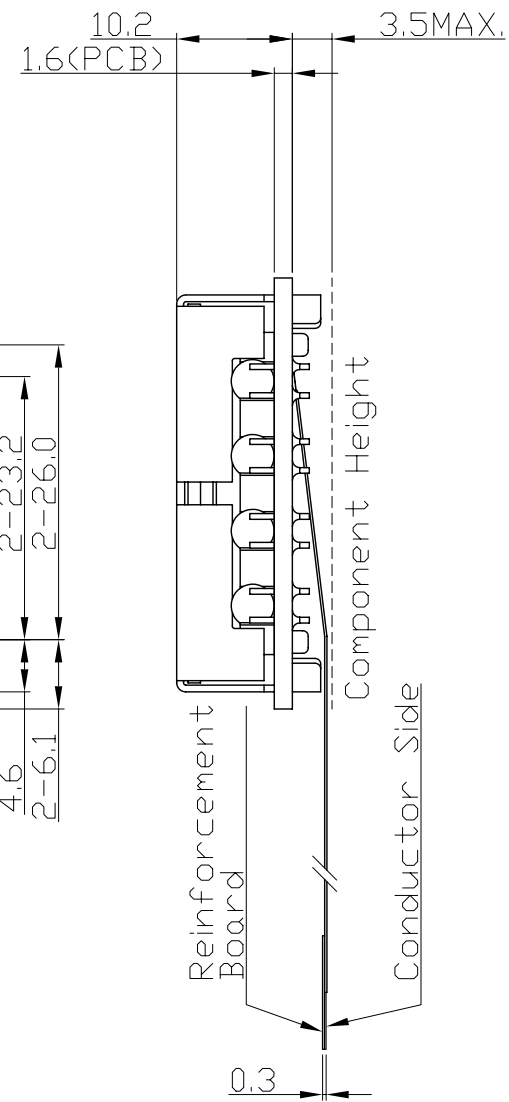
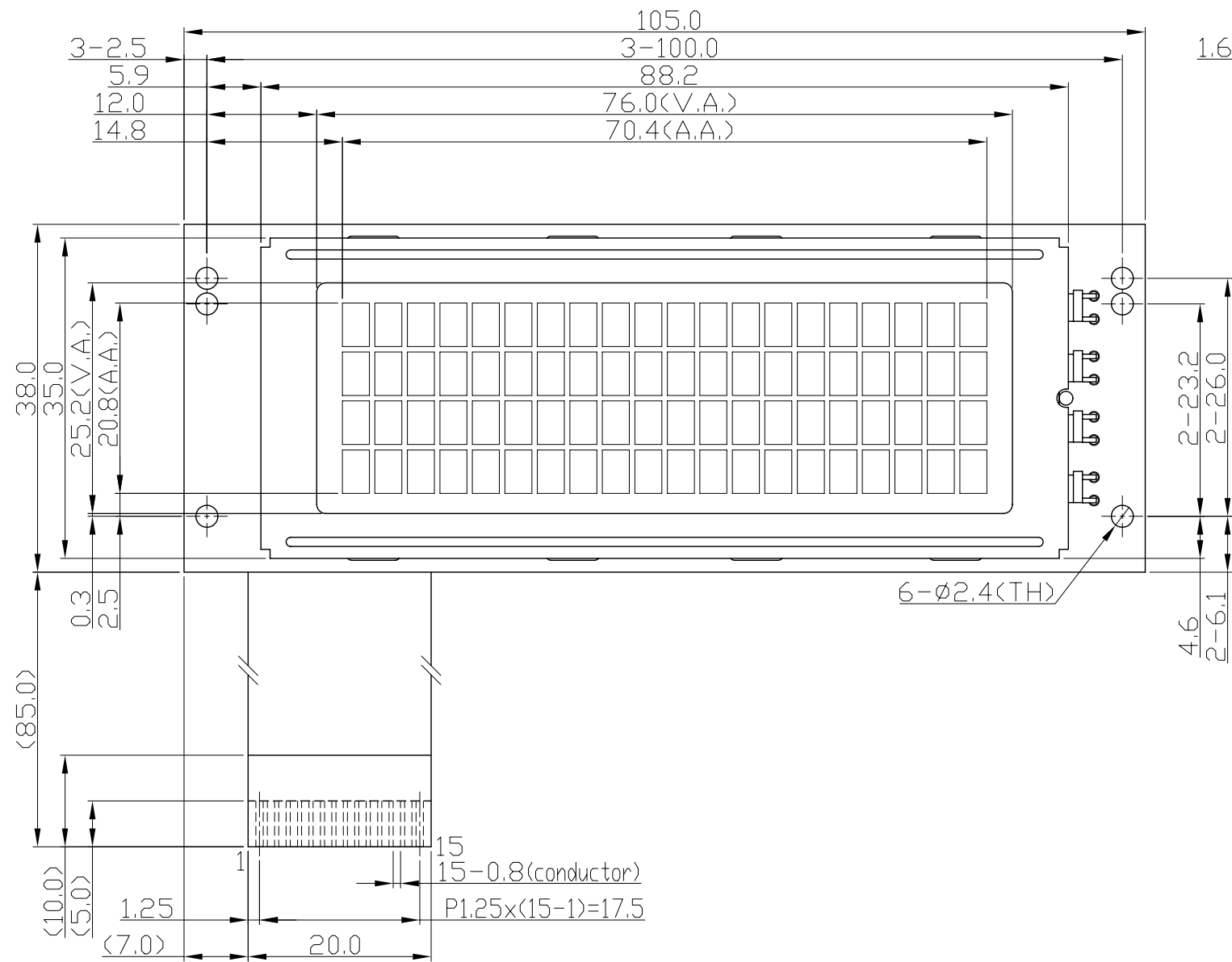
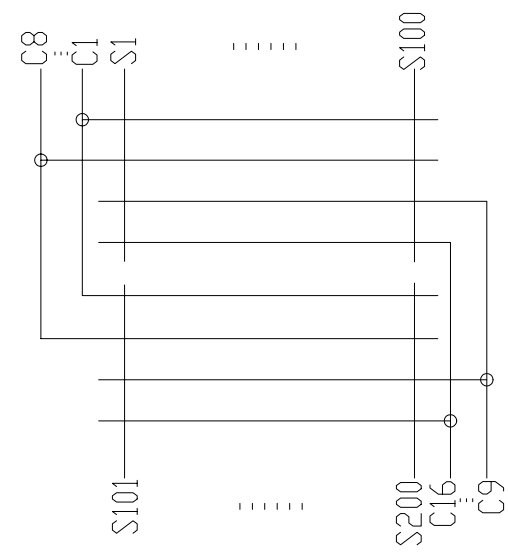


Terminal	
No.	Pin Name
1	VSS
2	VDD
3	RS
4	R/W
5	E
6	DB0
7	DB1
8	DB2
9	DB3
10	DB4
11	DB5
12	DB6
13	DB7
14	BLA
15	BLK



Backlight Circuit
(No. of LEDs = 4 pcs)
Scale=free



Panel Wiring Details
Scale=free

- Note:
- *1. LCD Display Type : STN, Negative, Transmissive
 - *2. Viewing Direction : 6H
 - *3. Duty : 1/16 ,Bais : 1/5
 - *4. Operating Voltage : 5.0V
 - *5. Backlight Color : White
 - *6. Operating Temperature : -20°C ~ 70°C
 - *7. Storage Temperature : -30°C ~ 80°C

C		
B		
A		
Rev	Note	Date
Dwg	Title LMB204CFC-1 Outline Dwg	
Dwg No.	MK-001234-1-1	Date 2006-04-06
Scale	Tol. ±0.5	Unit mm Paper Size A3
Approved	Checked	Drawn Li Shuai

TOPWAY