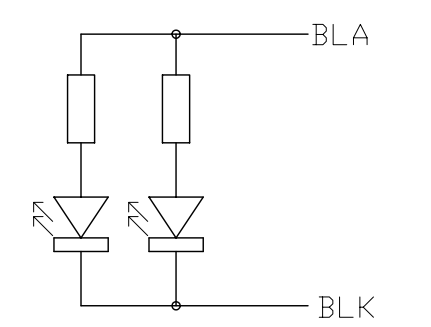
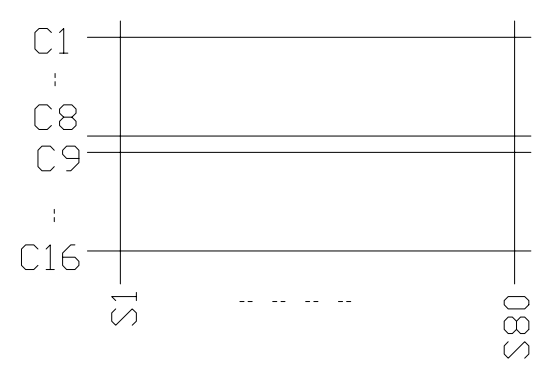


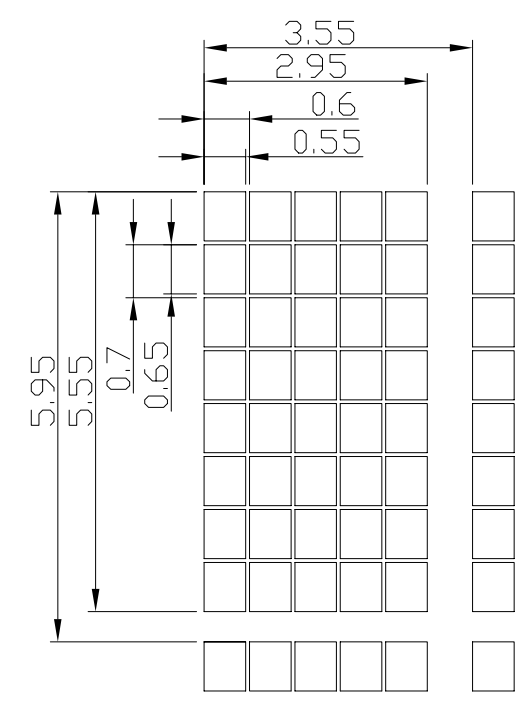
Terminal No.	Pin Name
1	VDD
2	VSS
3	NC
4	RS
5	R/W
6	E
7	DB0
8	DB1
9	DB2
10	DB3
11	DB4
12	DB5
13	DB6
14	DB7
15	BLA
16	BLK



Backlight Circuit  
(No. of LEDs = 2pcs)  
Scale=free



Panel Wiring Details  
Scale=free



Pixels Details  
Scale=10/1

- Note:
- \*1. Display Type : STN-Gray, Positive, Transmissive
  - \*2. Viewing Direction : 6H
  - \*3. Duty : 1/16, Bias : 1/5
  - \*4. Backlight Color : White
  - \*5. Operating Voltage : 3.3V
  - \*6. Operating Temperature : -20°C~70°C
  - \*7. Storage Temperature : -30°C~80°C

C				
B				
A				
Rev	Note			Date
Dwg	Title			
LMB162NDC-1 Outline Dwg				
Dwg No.	MK-001236-1-1	Date	2006-04-08	
Scale	5/2	Tol.	±0.5	Unit mm
Approved		Checked		Paper Size A3
			Drawn	Li Shuai

**TOPWAY**