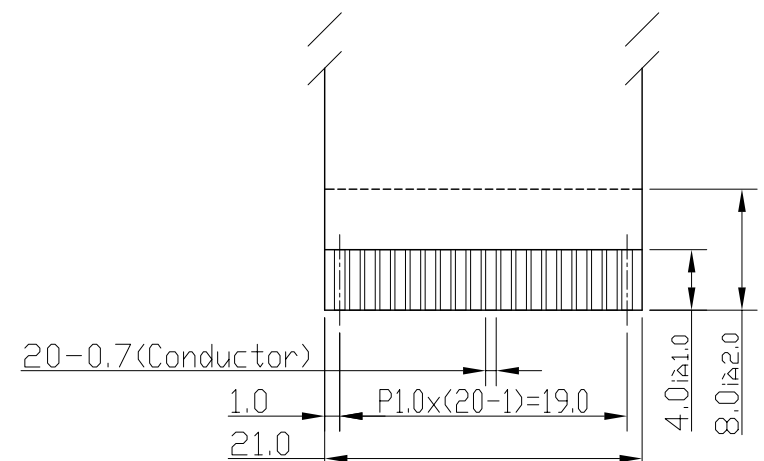
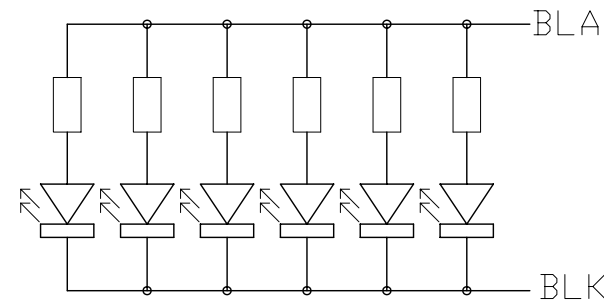


Terminal No.	Pin Name
1	VSS
2	VDD
3	V0
4	/WR
5	/RD
6	/CS
7	RS
8	/RST
9	DB0
10	DB1
11	DB2
12	DB3
13	DB4
14	DB5
15	DB6
16	DB7
17	BUSY
18	VOUT
19	BLA
20	BLK



- Note:
- \*1. Display Type : FSTN, Positive, Transflective
  - \*2. Viewing Direction : 9H
  - \*3. Duty : 1/240, Bias : 1/12
  - \*4. Backlight Color : White
  - \*5. Backlight Supply : 102mA(5.0V TYP.)
  - \*6. Operating Voltage : 5.0V
  - \*7. Operating Temperature : -20°C~70°C
  - \*8. Storage Temperature : -30°C~80°C
  - \*9. Driver IC : RA8803
  - \*10. An external VR(25K to 50K) must be connected for Contrast Control
  - \*11. Environmental Safe Standard : RoHS



E	-Add Note	Zhou Huifang 2008-06-23
D	-Revise Top,Tst -Add Metal Frame	Zhou Huifang 2008-06-13
C	-Refine Outline	Lin Yan 2006-10-09
B	-Revise Operating Voltage	Lin Yan 2006-07-31
A	-Revise Outline	Li Shuai 2006-05-18
Rev/Note		Date
Dwg Title	LM2068R Outline Dwg	
Dwg No.	MK-001241e-1-1	Date 2006-04-18
Scale	Tol.	Unit
3/2	±0.5	mm
Approved	Checked	Paper Size A3
		Drawn Li Shuai

**TOPWAY**