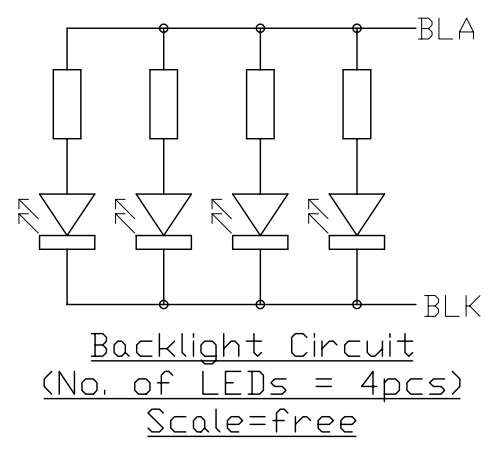
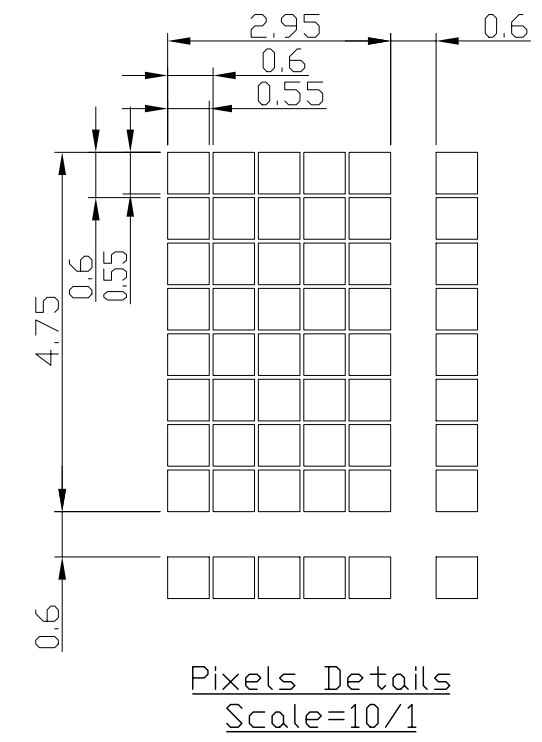


Terminal	
No.	Pin Name
1	VSS
2	VDD
3	V0
4	RS
5	R/W
6	E
7	DB0
8	DB1
9	DB2
10	DB3
11	DB4
12	DB5
13	DB6
14	DB7
15	BLA
16	BLK



- Note:
- \*1. LCD Display Type : STN-Gray, Positive, Transflective
  - \*2. Viewing Direction : 6H
  - \*3. Duty : 1/16 ,Bais : 1/5
  - \*4. Operating Voltage : 5.0V
  - \*5. Backlight Color : White
  - \*6. Operating Temperature : -20°C ~ 70°C
  - \*7. Storage Temperature : -30°C ~ 80°C
  - \*8. An external VR(5k) must be connected for Contrast Control

C				
B				
A				
Rev	Note			Date
Dwg	Title	LMB204BDC-2 Outline Dwg		
Dwg No.	MK-001258-1-1	Date	2006-04-26	
Scale	2/1	Tol.	±0.5	Unit mm
Approved		Checked		Paper Size A3
			Drawn	Li Shuai

**TOPWAY**