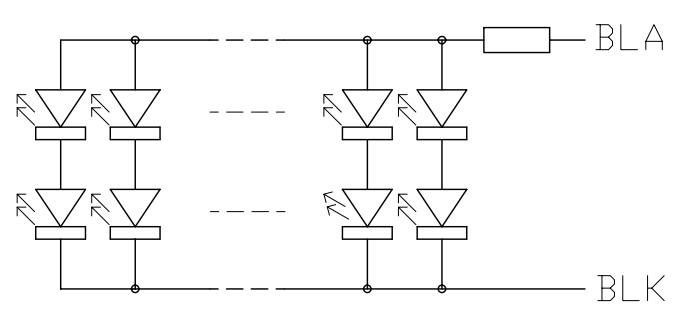
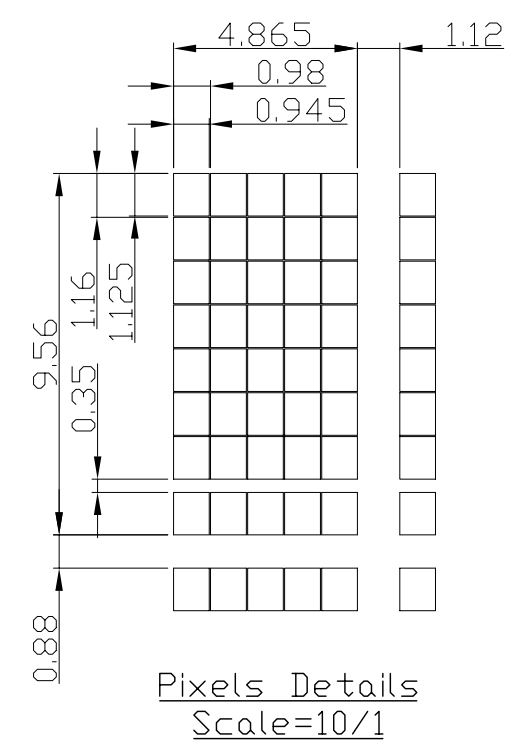
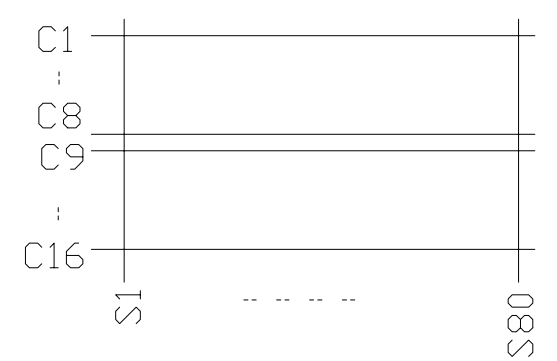


Terminal	
No.	Pin Name
1	VSS
2	VDD
3	V0
4	RS
5	R/W
6	E
7	DB0
8	DB1
9	DB2
10	DB3
11	DB4
12	DB5
13	DB6
14	DB7
15	BLK
16	BLA

(*8)



Backlight Circuit
(No. of LEDs = 24x2pcs)
Scale=free



Panel Wiring Details
Scale=free

- Note:
- *1. LCD Display Type : STN-Gray, Positive, Transmissive Δ
 - *2. Viewing Direction : 6H
 - *3. Duty : 1/16 ,Bais : 1/5
 - *4. Operating Voltage : 5.0V
 - *5. Backlight Color : YG
 - *6. Operating Temperature : -20°C~70°C
 - *7. Storage Temperature : -30°C~80°C
 - *8. An external VR(5k) must be connected for Contrast Control.

C		
B		
A	-Typing Correction	Linyan 2007-06-07
Rev	Note	Date
Dwg Title LMB162GDC Outline Dwg		
Dwg No.	MK-001285a-1-1	Date 2006-05-20
Scale 3/2	Tol. ± 0.5	Unit mm
Approved	Checked	Paper Size A3
		Drawn Li Shuai

TOPWAY