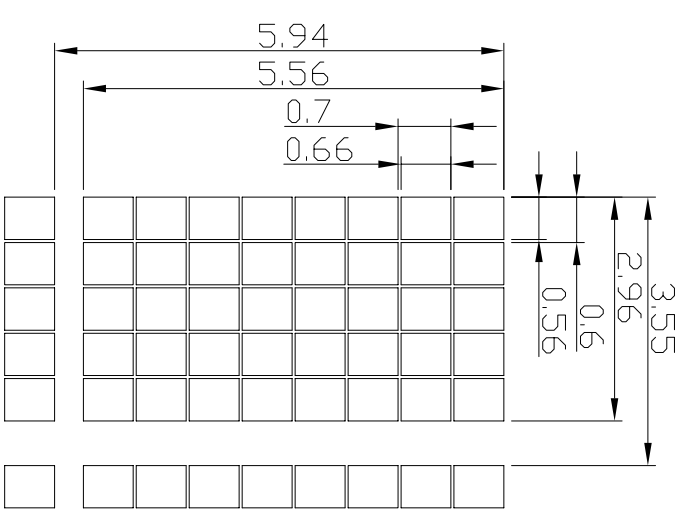
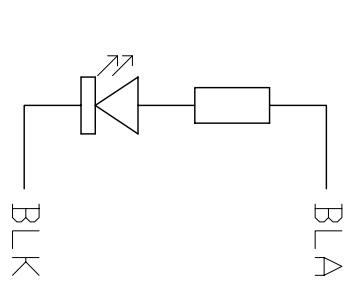


Terminal	No.	Pin Name
	1	VSS
	2	VDD
	3	NC
	4	RS
	5	R/W
	6	E
	7	DB0
	8	DB1
	9	DB2
	10	DB3
	11	DB4
	12	DB5
	13	DB6
	14	DB7
	15	BLA
	16	BLK



Pixel Details  
Scale=10/1

- Note:
- \*1. LCD Display Type : STN, Negative, Transmissive
  - \*2. Viewing Direction : 6H
  - \*3. Duty : 1/16 ,Bais : 1/5
  - \*4. Operating Voltage : 3.0V
  - \*5. Backlight Color : White
  - \*6. Operating Temperature : -20°C ~ 70°C
  - \*7. Storage Temperature : -30°C ~ 80°C



Backlight Circuit  
(No. of LED = 1pcs)  
Scale=free

Panel Wiring Details	Scale=free
C1	1
C8	1
C9	1
C16	1

Panel Wiring Details  
Scale=free

Rev/Note	Date
A	
B	
C	

Dwg No.	MK-001361-1-1	Date	2006-08-16
Dwg Title	LMB0820DFC-1 Outline Dwg		

Scale	3/1	Tol.	±0.5	Unit	mm	Paper Size	A3
Approved		Checked		Drawn	Lin Yan		

**TOPWAY**