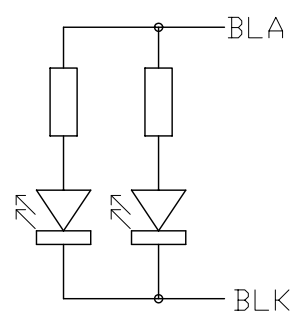
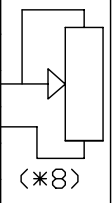
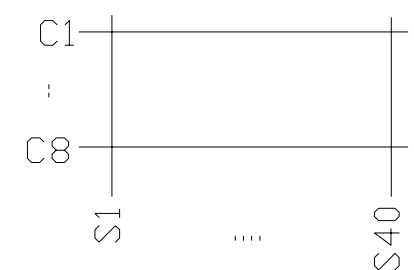


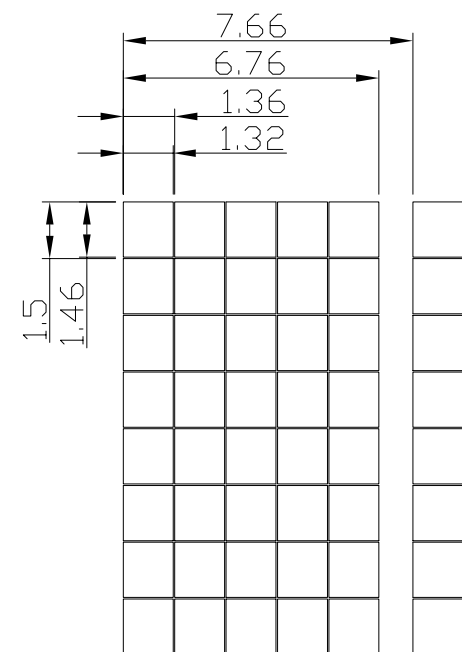
Terminal No.	Pin Name
1	VDD
2	VSS
3	V0
4	RS
5	R/W
6	E
7	DB0
8	DB1
9	DB2
10	DB3
11	DB4
12	DB5
13	DB6
14	DB7
15	BLA
16	BLK



Backlight Circuit
(No. of LEDs = 2pcs)
Scale=free



Panel Wiring Details
Scale=free



Pixels Details
Scale=5/1

- Note:
- *1. LCD Display Type : STN-Gray, Positive, Transmissive
 - *2. Viewing Direction : 12H
 - *3. Operating Voltage: 5.0V
 - *4. Backlight Color: White
 - *5. Duty: 1/8
 - *6. Operating Temperature : -20°C~70°C
 - *7. Storage Temperature : -30°C~80°C
 - *8. An external VR(5K) must be connected for Contrast Control

C				
B				
A				
Rev	Note			Date
Dwg Title LMB081NDC Outline Dwg				
Dwg No. MK-001395-1-1				Date 2006-09-01
Scale 5/2	Tol. ±0.5	Unit mm	Paper Size A3	
Approved	Checked	Drawn Lin Yan		

TOPWAY