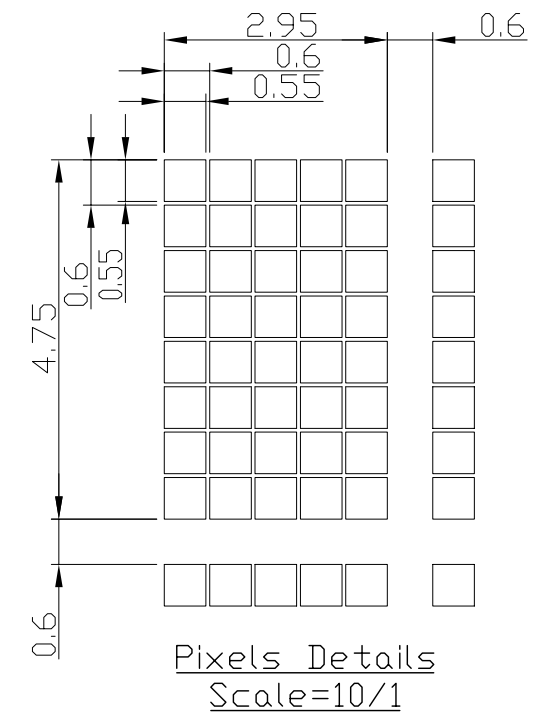
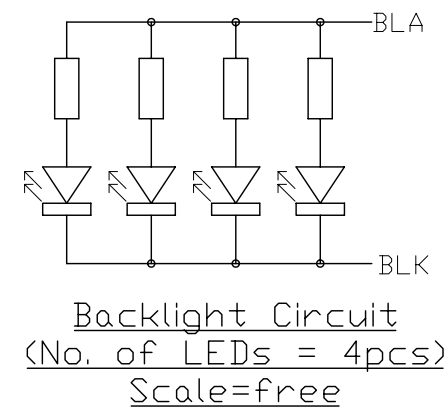


Terminal	
No.	Pin Name
1	VSS
2	VDD
3	NC
4	RS
5	R/W
6	E
7	DB0
8	DB1
9	DB2
10	DB3
11	DB4
12	DB5
13	DB6
14	DB7
15	BLA
16	BLK



- Note:
- *1. LCD Display Type : STN, Negative, Transmissive
 - *2. Viewing Direction : 6H
 - *3. Duty : 1/16 , Bias : 1/5
 - *4. Operating Voltage : 3.3V
 - *5. Backlight Color : White
 - *6. Operating Temperature : -20°C~70°C
 - *7. Storage Temperature : -30°C~80°C



C		
B		
A		
Rev	Note	Date
Dwg	Title	LMB204BFC-1 Outline Dwg
Dwg No.	MK-001420-1-1	Date 2006-09-26
Scale	2/1	Tol. ±0.5
Unit	mm	Paper Size A3
Approved	Checked	Drawn Lin Yan

TOPWAY