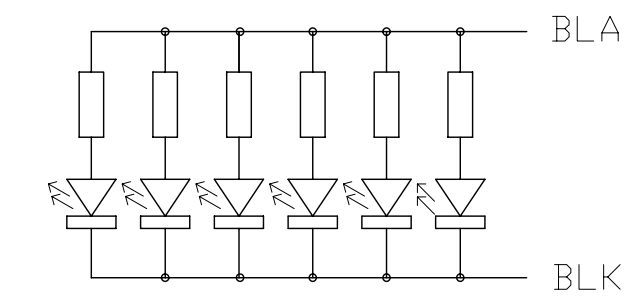
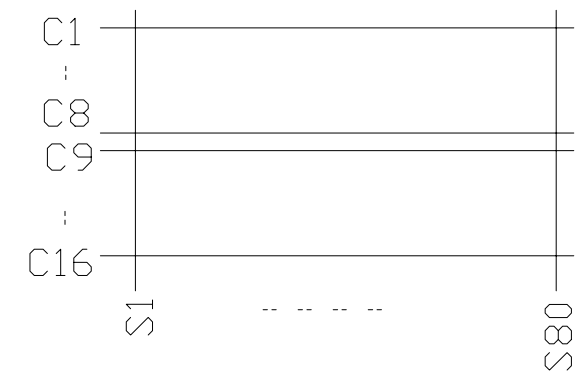


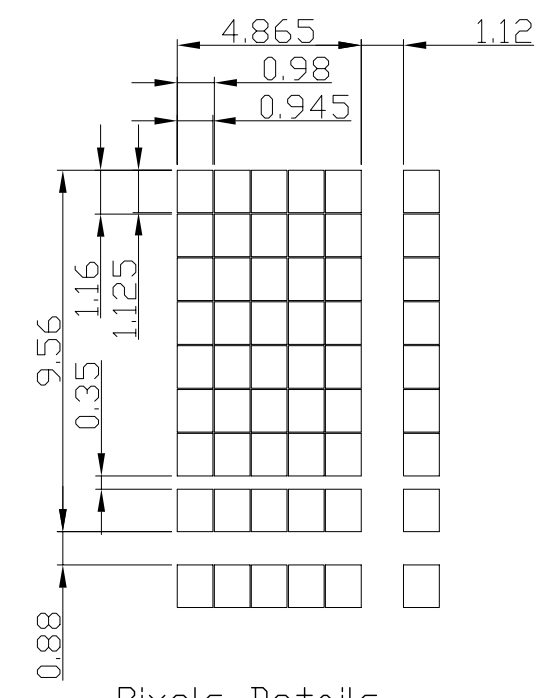
Terminal	
No.	Pin Name
1	VSS
2	VDD
3	V0
4	RS
5	R/W
6	E
7	DB0
8	DB1
9	DB2
10	DB3
11	DB4
12	DB5
13	DB6
14	DB7
15	BLA
16	BLK



Backlight Circuit  
(No. of LEDs = 2x3pcs)=6pcs  
Scale=free



Panel Wiring Details  
Scale=free



Pixels Details  
Scale=5/1

- Note:
- \*1. LCD Display Type : STN, Negative, Transmissive
  - \*2. Viewing Direction : 6H
  - \*3. Duty : 1/16 , Bias : 1/5
  - \*4. Operating Voltage : 5.0V
  - \*5. Backlight Color : White
  - \*6. Operating Temperature : -20°C~70°C
  - \*7. Storage Temperature : -30°C~80°C
  - \*8. An external VR(5k) must be connected for Contrast Control.
  - \*9. Environmental Safe Standard : RoHS

C		
B		
A		
Rev	Note	Date
Dwg	Title	
LMB162GFC Outline Dwg		
Dwg No.	MK-001496-1-1	Date
2006-11-16		
Scale	Tol.	Unit
3/2	$\pm$ 0.2	mm
Paper Size	A3	
Approved	Checked	Drawn
		Lin Yan

**TOPWAY**