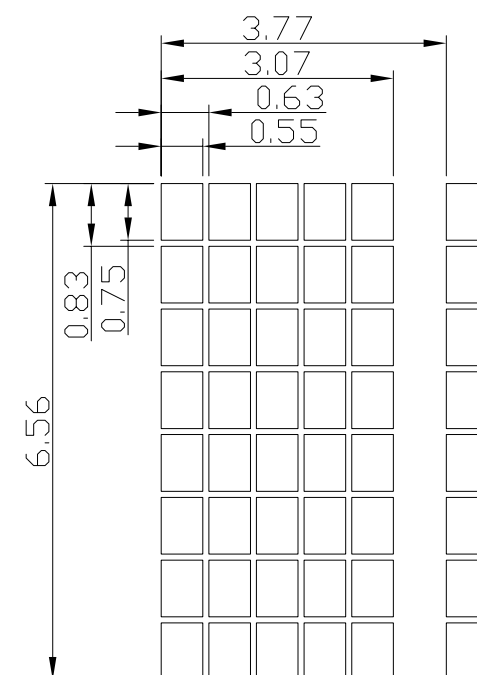
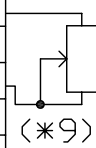
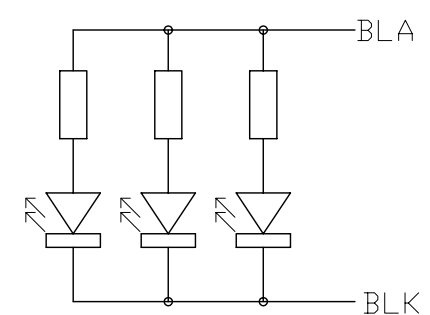


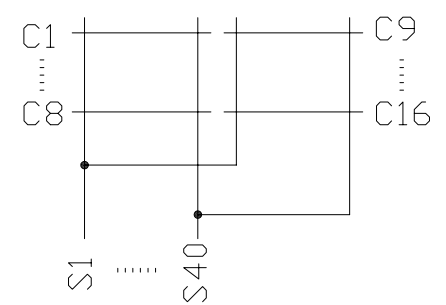
Terminal	
No.	Pin Name
1	VSS
2	VDD
3	V0
4	RS
5	R/W
6	E
7	DB0
8	DB1
9	DB2
10	DB3
11	DB4
12	DB5
13	DB6
14	DB7
15	BLA
16	BLK



Pixels Details
Scale=10/1



Backlight Circuit
(No. of LEDs = 3pcs)
Scale=free



Panel Wiring Details
Scale=free

- Note:
- *1. LCD Display Type : STN-Blue, Negative, Transmissive
 - *2. Viewing Direction : 6H
 - *3. Duty : 1/16 ,Bais : 1/5
 - *4. Operating Voltage : 5.0V
 - *5. Backlight Color : White
 - *6. Backlight Supply : 51mA(5.0V TYP.)
 - *7. Operating Temperature : -20°C~70°C
 - *8. Storage Temperature : -30°C~80°C
 - *9. An external VR(5k) must be connected for Contrast Control

C		
B		
A		
Rev	Note	Date
Dwg Title LMB161AFC Outline Dwg		
Dwg No. MK-001527-1-1		Date 2006-12-11
Scale 2/1	Tol. ±0.5	Unit mm Paper Size A3
Approved	Checked	Drawn Lin Yan

TOPWAY