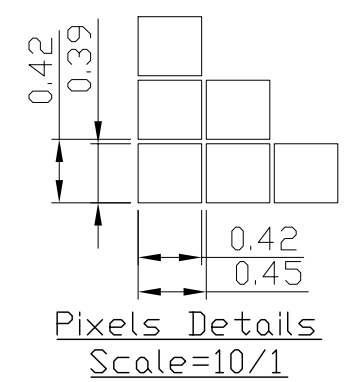
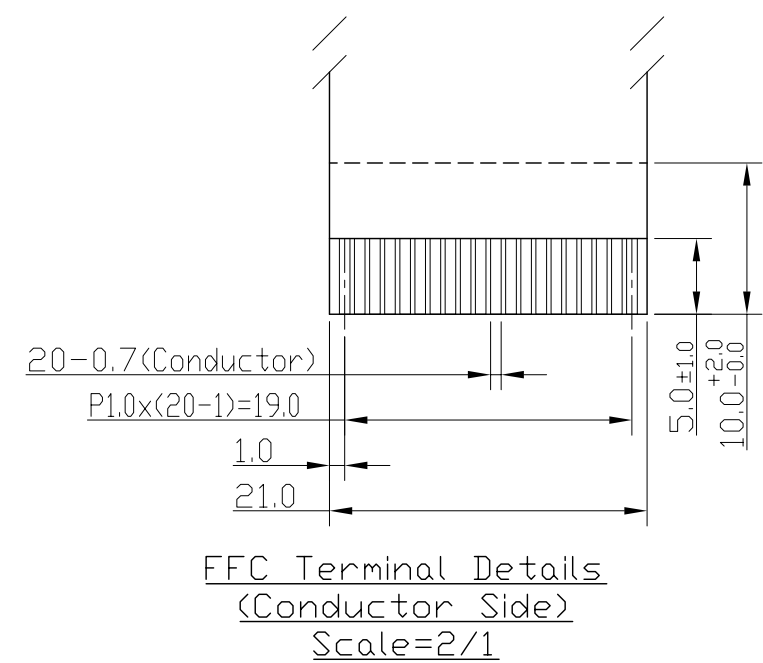
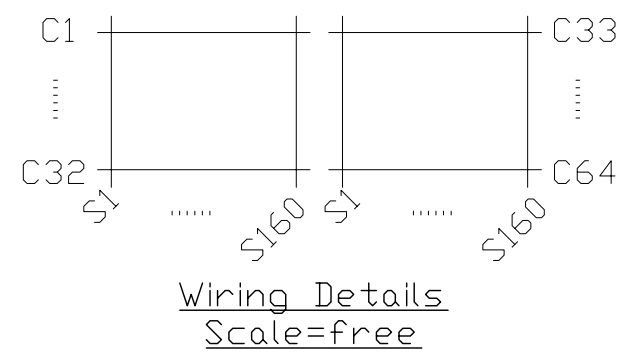
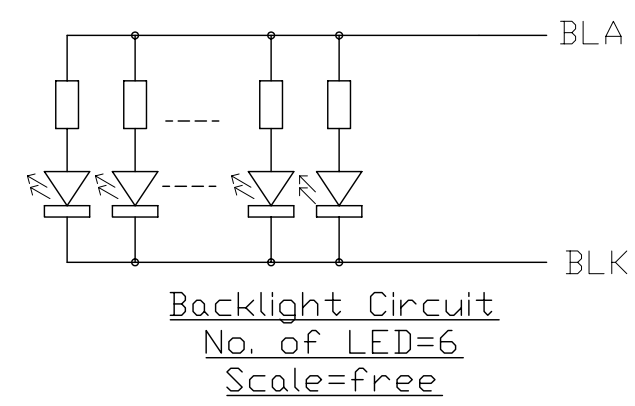
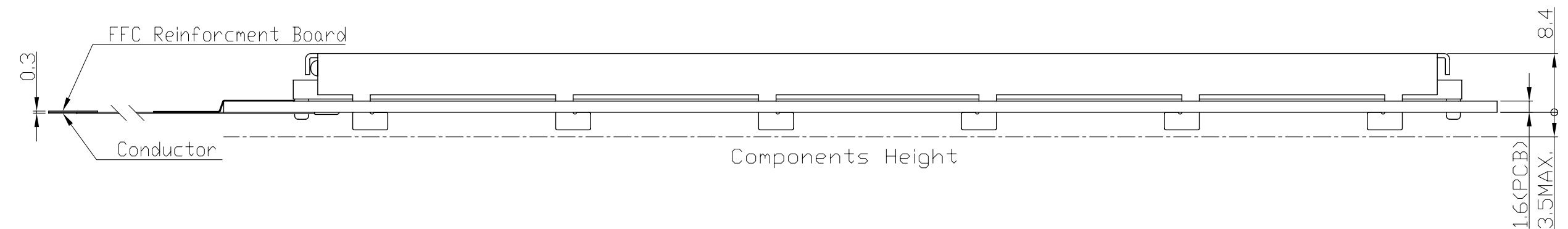


Terminal	
No.	Pin Name
1	VOUT
2	V0
3	VSS
4	VDD
5	BUSY
6	/CS
7	RS
8	/WR
9	/RD
10	DB0
11	DB1
12	DB2
13	DB3
14	DB4
15	DB5
16	DB6
17	DB7
18	/RST
19	BLA
20	BLK



- Note:
- \*1. LCD Display Type : STN-Gray, Positive, Transmissive
  - \*2. Viewing Direction : 6H
  - \*3. Duty : 1/64
  - \*4. Operating Voltage : 5.0V
  - \*5. Backlight Color : White
  - \*6. Backlight Supply : 100mA (5.0V TYP.)
  - \*7. Operating Temperature : -20°C ~ 70°C
  - \*8. Storage Temperature : -30°C ~ 80°C
  - \*9. Built in LCD Controller : RA8802
  - \*10. An external VR(25k~50k) must be connected for Contrast Control

C		
B		
	Type correction	Cai 2009-02-21
Rev	Note	Date
Dwg	Title	
	LM6051-1 Outline Drawing	
Dwg No.	MK-001575a-1-1	Date 2007-01-04
Scale	Tol.	Unit
3/2	±0.5	mm
Approved	Checked	Paper Size A3
		Drawn Lin Yan

**TOPWAY**