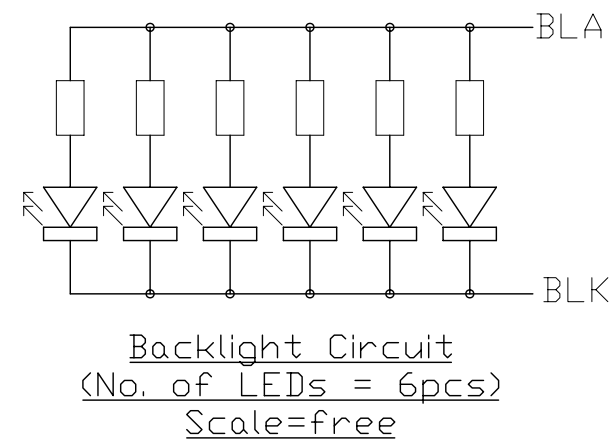


Terminal	
No.	Pin Name
1	VSS
2	VDD
3	V0
4	/WR
5	/RD
6	/CS
7	RS
8	/RST
9	DB0
10	DB1
11	DB2
12	DB3
13	DB4
14	DB5
15	DB6
16	DB7
17	BUSY
18	VOUT
19	BLA
20	BLK

- Note:
- \*1. Display Type : STN-Blue, Negative, Transmissive
  - \*2. Viewing Direction : 9H
  - \*3. Duty : 1/240, Bias : 1/12
  - \*4. Backlight Color : White
  - \*5. Backlight Supply : 96mA(3.3V TYP.)
  - \*6. Operating Voltage : 3.3V
  - \*7. Operating Temperature : -20°C~70°C
  - \*8. Storage Temperature : -30°C~80°C
  - \*9. Driver IC : RA8803
  - \*10. An external VR(25K to 50K) must be connected for Contrast Control
  - \*11. Environmental Safe Standard : RoHS



C		
B	Typing Correction	Zhou Huifang 2007-10-08
A	Add Metal Frame	Zhou Huifang 2007-10-07
Rev	Note	Date
	Dwg Title	
	LM2068R-3 Outline Dwg	
Dwg No.	MK-001700b-1-1	Date 2007-04-19
Scale	Tol.	Unit
3/2	±0.5	mm
Approved	Checked	Paper Size A3
		Drawn Lin Yan

**TOPWAY**