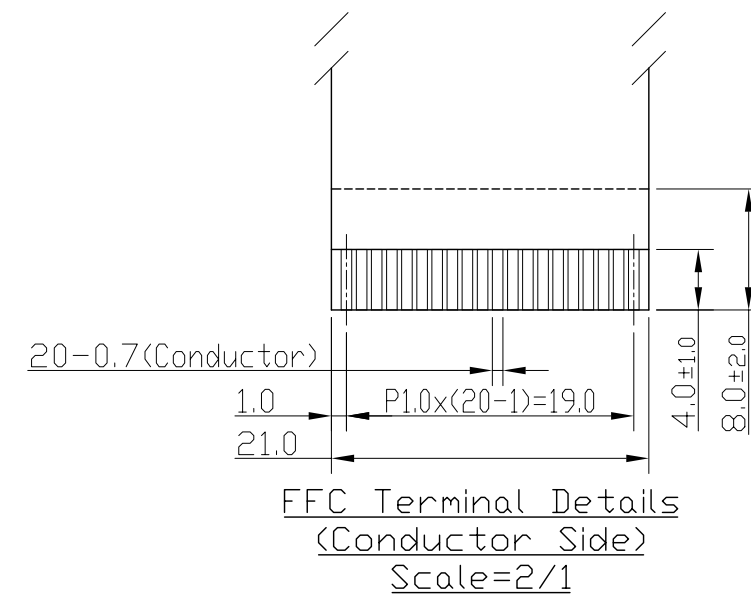
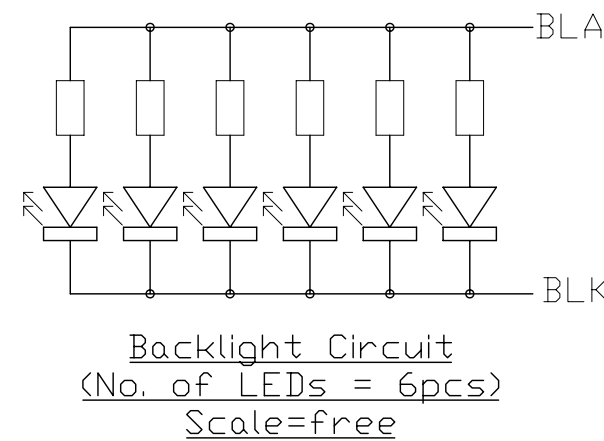


Terminal	
No.	Pin Name
1	VSS
2	VDD
3	V0
4	/WR
5	/RD
6	/CS
7	RS
8	/RST
9	DB0
10	DB1
11	DB2
12	DB3
13	DB4
14	DB5
15	DB6
16	DB7
17	BUSY
18	VOUT
19	BLA
20	BLK



Note:

- *1. Display Type : STN-Blue, Negative, Transmissive
- *2. Viewing Direction : 9H
- *3. Duty : 1/240, Bias : 1/12
- *4. Backlight Color : White
- *5. Backlight Supply : 100mA(5.0V TYP.)
- *6. Operating Voltage : 5.0V
- *7. Operating Temperature : -20°C~70°C
- *8. Storage Temperature : -30°C~80°C
- *9. Driver IC : RA8803
- *10. An external VR(25K to 50K) must be connected for Contrast Control
- *11. Environmental Safe Standard : RoHS



C		
B	Typing Correction	Zhou Huifang 2007-10-08
A	Revise Top,Tst Add Metal Frame	Zhou Huifang 2007-10-07
Rev/Note		Date
Dwg Title	LM2068R-4 Outline Dwg	
Dwg No.	MK-001701b-1-1	Date 2007-04-06
Scale	Tol.	Unit
3/2	±0.5	mm
Approved	Checked	Paper Size A3
		Drawn Lin Yan

TOPWAY