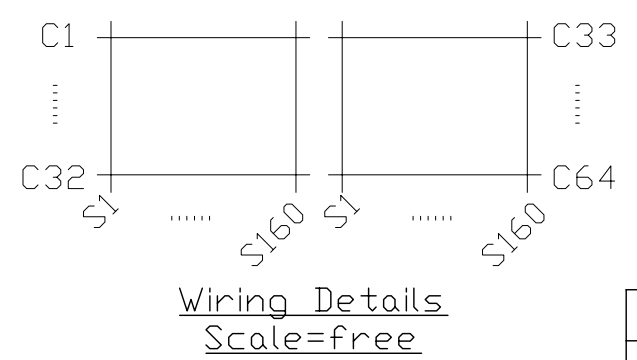
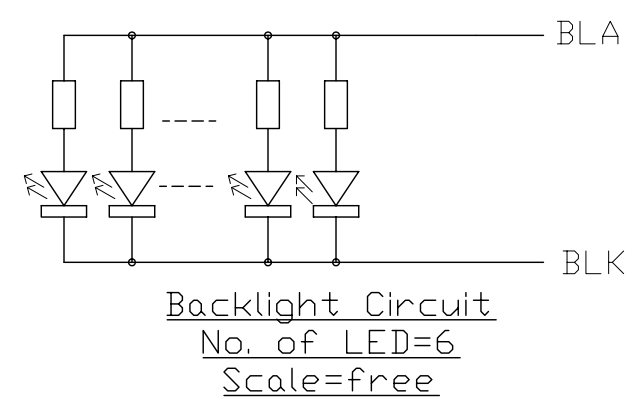
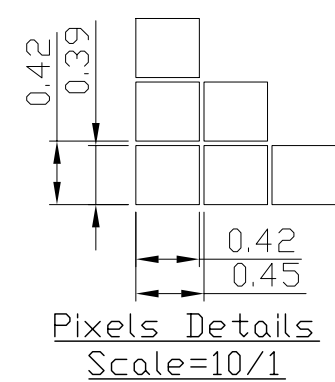


Terminal No.	Pin Name
1	VOUT
2	V0
3	VSS
4	VDD
5	BUSY
6	/CS
7	RS
8	/WR
9	/RD
10	DB0
11	DB1
12	DB2
13	DB3
14	DB4
15	DB5
16	DB6
17	DB7
18	/RST
19	BLA
20	BLK



- Note:
- *1. LCD Display Type : STN-Blue, Negative, Transmissive
 - *2. Viewing Direction : 6H
 - *3. Duty : 1/64
 - *4. Operating Voltage : 5.0V
 - *5. Backlight Color : White
 - *6. Backlight Supply : 100mA (5.0V TYP.)
 - *7. Operating Temperature : -20°C ~ 70°C
 - *8. Storage Temperature : -30°C ~ 80°C
 - *9. Built in LCD Controller : RA8802
 - *10. An external VR(25k~50k) must be connected for Contrast Control

C		
B		
A	Typing Correction	Zhou Huifang 2008-12-13
Rev	Note	Date
Dwg	Title	LM6051-2 Outline Drawing
Dwg No.	MK-001736a-1-1	Date 2007-04-19
Scale	Tol.	Unit
3/2	±0.5	mm
Approved	Checked	Paper Size A3
		Drawn Lin Yan

