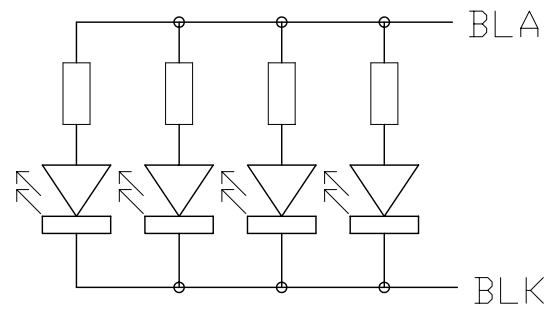


Terminal	
No.	Pin Name
1	VSS
2	VDD
3	V0
4	RS
5	/WR
6	/RD
7	DB0
8	DB1
9	DB2
10	DB3
11	DB4
12	DB5
13	DB6
14	DB7
15	/CS
16	BUSY
17	/RST
18	VOUT
19	BLA
20	BLK



- Note:
- *1. Display Type : STN-Gray, Positive, Transflective
 - *2. Viewing Direction : 6H
 - *3. Duty : 1/80, Bias : 1/10
 - *4. Operating Voltage : 3.3V
 - *5. Backlight Supply: 68mA (3.3V TYP.)
 - *6. Backlight Color : White
 - *7. Operating Temperature : -20°C~70°C
 - *8. Storage Temperature : -30°C~80°C
 - *9. Controller IC : RA8803
 - *10. An external VR(25K to 50K) must be connected for Contrast Control
 - *11. Environmental Safe Standard : RoHS

C		
B		
A	-Revise VR connection -Typing Correction	K.C. 2007-08-14
Rev/Note		Date
Dwg Title	LM8053-1 Outline Dwg	
Dwg No.	MK-001882a-1-1	Date 2007-07-25
Scale	Tol.	Unit
3/2	±0.5	mm
Approved	Checked	Paper Size A3
		Drawn K.C.

TOPWAY