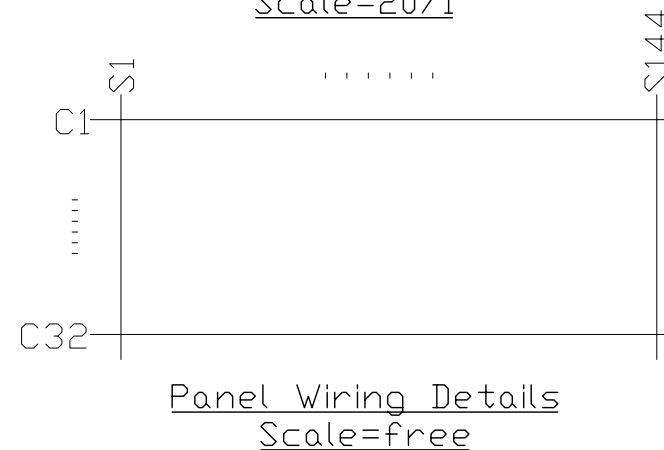
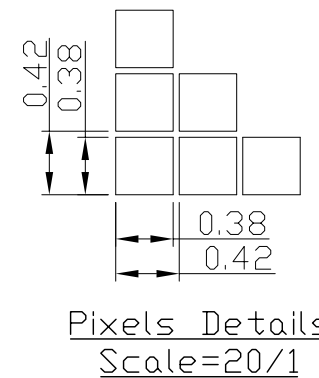
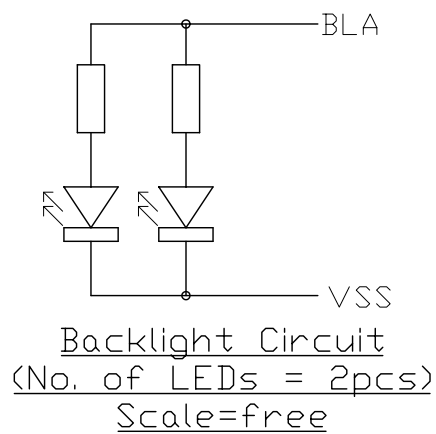


Terminal	
No.	Pin Name
1	VSS
2	VDD
3	NC
4	RS(CS)
5	R/W(SID)
6	E(SCLK)
7	DB0
8	DB1
9	DB2
10	DB3
11	DB4
12	DB5
13	DB6
14	DB7
15	BLA
16	NC
17	PSB
18	/RST



Note:

- *1. LCD Display Type : STN-Gray, Positive, Transmissive
- *2. Viewing Direction : 6H
- *3. Duty : 1/32 , Bias : 1/5
- *4. Operating Voltage : 5.0V
- *5. Backlight Color : White
- *6. Backlight Supply: 40mA (5.0V TYP.)
- *7. Operating Temperature : -20°C~70°C
- *8. Storage Temperature : -30°C~80°C
- *9. Environmental Safe Standard : RoHS

C		
B		
A	Revise Backlight	K.C. 2008-03-29
Rev Note		Date
Dwg Title LM3037BDW Outline Dwg		
Dwg No. MK-0001948a-1-1		Date 2007-09-01
Scale 3/1	Tol. ±0.5	Unit mm Paper Size A3
Approved	Checked	Drawn Zhou Huifang

TOPWAY