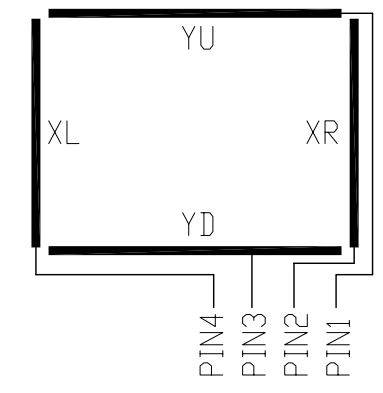
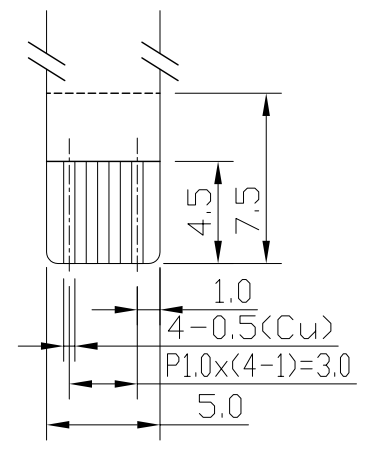


Backlight Circuit Details
(No. of LED = 6pcs)
Scale=free



Touch Panel Logic Details
Scale=free



Touch Panel FPC
Terminals Details
(Conductor Side)
Scale=3/1

| K1 Terminal | |
|-------------|----------|
| No | Pin Name |
| 1 | VSS |
| 2 | VSS |
| 3 | VDD |
| 4 | VDD |
| 5 | A1 |
| 6 | /CS |
| 7 | /RES |
| 8 | D0 |
| 9 | D1 |
| 10 | D2 |
| 11 | D3 |
| 12 | D4 |
| 13 | D5 |
| 14 | D6 |
| 15 | D7 |
| 16 | WAIT |
| 17 | /RD |
| 18 | /WR0 |
| 19 | NC |
| 20 | NC |

- Note:
- *1. LCD Display Type: TFT.Transmissive
 - *2. Viewing Direction : 12H
 - *3. Pixel Arrangement: RGB-SPRIPE
 - *4. Operating Temperature : -20°C~70°C
 - *5. Storage Temperature : -30°C~80°C
 - *6. Backlight: White LED

| | | |
|----------|------------------------------|-----------------------|
| C | | |
| B | | |
| A | Typing Correction | K.C. 2008-09-04 |
| Rev | Note | Date |
| Dwg | Title | |
| | LMT035DNAFWU-NAA Outline Dwg | |
| Dwg No. | MK-002024a-1-1 | Date 2007-11-20 |
| Scale | 3/2 | Tol. ±0.5 |
| | | Unit mm |
| | | Paper Size A3 |
| Approved | Checked | Drawn Zhou Huifang |

