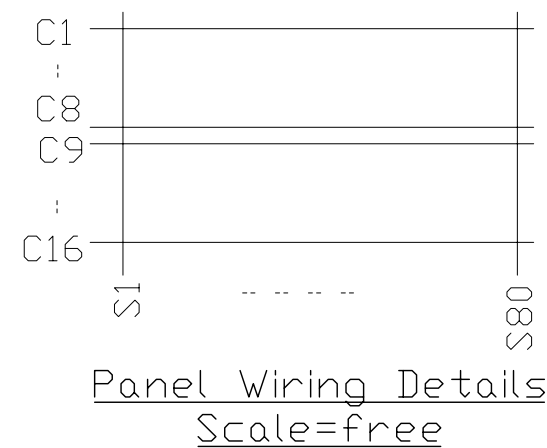
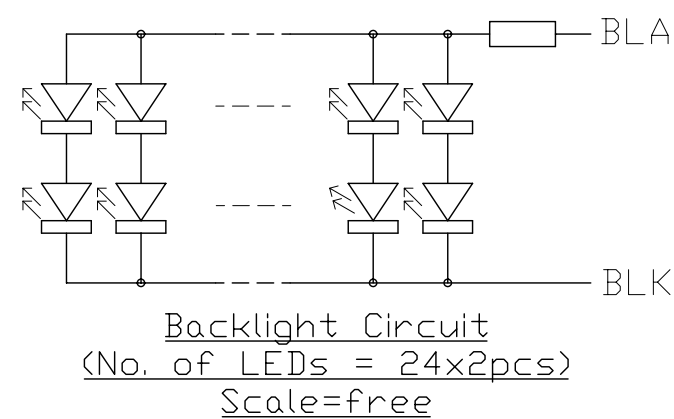
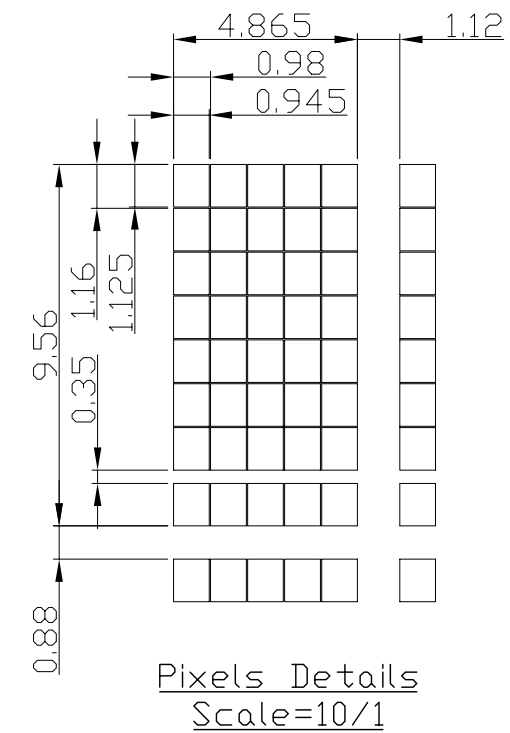
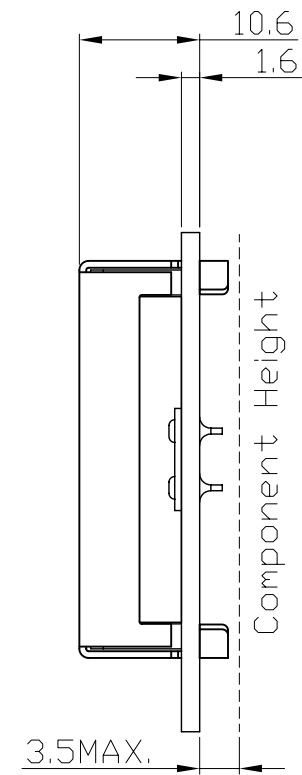


Terminal	
No.	Pin Name
1	VSS
2	VDD
3	NC
4	RS
5	R/W
6	E
7	DB0
8	DB1
9	DB2
10	DB3
11	DB4
12	DB5
13	DB6
14	DB7
15	BLA
16	BLK



- Note:
- *1. LCD Display Type : STN-YG, Positive, Transmissive
 - *2. Viewing Direction : 6H
 - *3. Duty : 1/16 ,Bais : 1/5
 - *4. Operating Voltage : 5.0V
 - *5. Backlight Color : YG
 - *6. Backlight Supply : 240mA (5.0V TYP.)
 - *7. Operating Temperature : -20°C~70°C
 - *8. Storage Temperature : -30°C~80°C

C		
B		
A		
Rev	Note	Date
Dwg Title LMB162GBY Outline Dwg		
Dwg No.	MK-002130-1-1	Date 2007-11-23
Scale 3/2	Tol. ±0.5	Unit mm Paper Size A3
Approved	Checked	Drawn Zhou huifang

TOPWAY