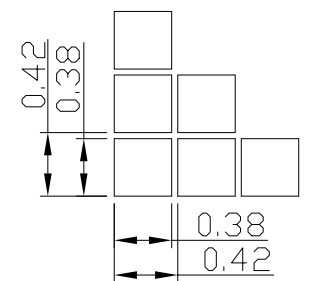
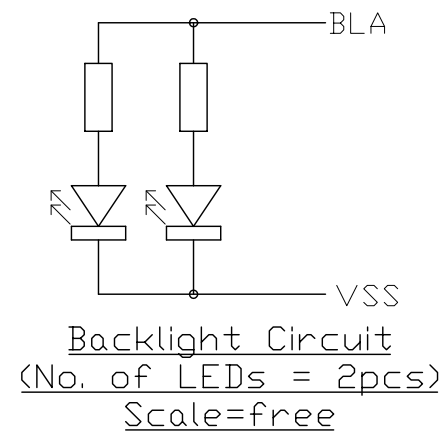


Terminal	
No.	Pin Name
1	VSS
2	VDD
3	NC
4	RS(CS)
5	R/W(SID)
6	E(SCLK)
7	DB0
8	DB1
9	DB2
10	DB3
11	DB4
12	DB5
13	DB6
14	DB7
15	BLA
16	NC
17	PSB
18	/RST

4- $\phi$ 2.5(PTH)  
4- $\phi$ 4.0(Cu)



- Note:
- \*1. LCD Display Type : STN-Blue, Negative, Transmissive
  - \*2. Viewing Direction : 6H
  - \*3. Duty : 1/32 , Bias : 1/5
  - \*4. Operating Voltage : 5.0V
  - \*5. Backlight Color : White
  - \*6. Backlight Supply: 40mA (5.0V TYP.)
  - \*7. Operating Temperature : -20°C~70°C
  - \*8. Storage Temperature : -30°C~80°C
  - \*9. Environmental Safe Standard : RoHS

C		
B		
A		
Rev	Note	Date
Dwg Title LM3037BFW Outline Dwg		
Dwg No.	MK-0002304-1-1	Date 2008-02-21
Scale 3/1	Tol. $\pm$ 0.5	Unit mm Paper Size A3
Approved	Checked	Drawn Zhou Huifang

**TOPWAY**