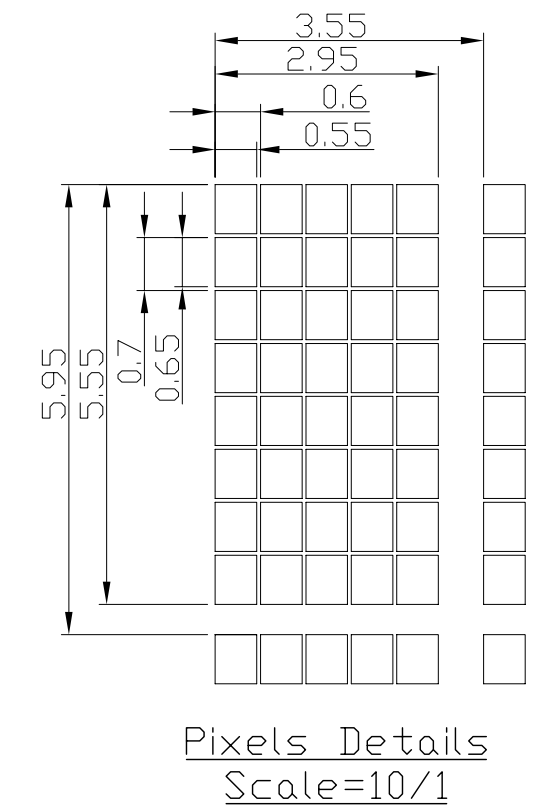
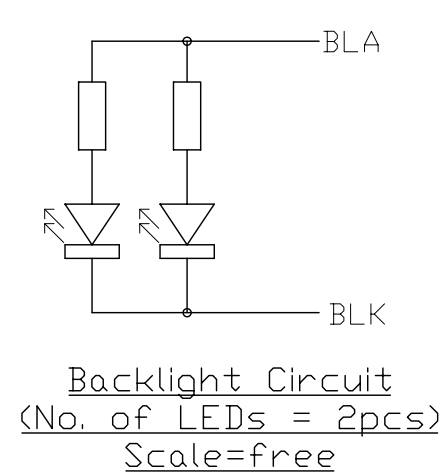
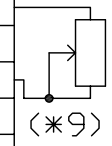


Terminal	
No.	Pin Name
1	VDD
2	VSS
3	V0
4	RS
5	R/W
6	E
7	DB0
8	DB1
9	DB2
10	DB3
11	DB4
12	DB5
13	DB6
14	DB7
15	BLA
16	BLK



- Note:
- *1. LCD Display Type : STN-Gray, Positive, Transmissive
 - *2. Viewing Direction : 6H
 - *3. Duty : 1/16 Bias : 1/5
 - *4. Backlight Color : White
 - *5. Backlight Supply : 40mA(5.0V TYP)
 - *6. Operating Voltage : 5.0V
 - *7. Operating Temperature : -20°C~70°C
 - *8. Storage Temperature : -30°C~80°C
 - *9. Driver/Controller IC : ST7066U-0E or equivalent
 - *10. An external VR(5K) must be connected for Contrast Control.

C				
B				
A				
Rev	Note			Date
Dwg Title LMB162NDC-0E Outline Dwg				
Dwg No. MK-002322-1-1				Date 2008-03-05
Scale 5/2	Tol. ±0.5	Unit mm	Paper Size A3	
Approved	Checked	Drawn Zhou Huifang		

TOPWAY