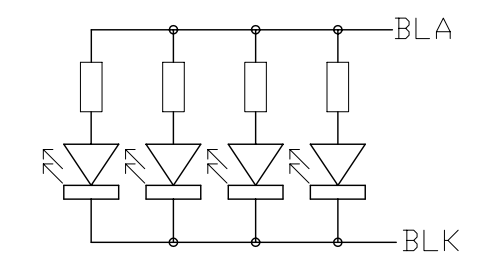
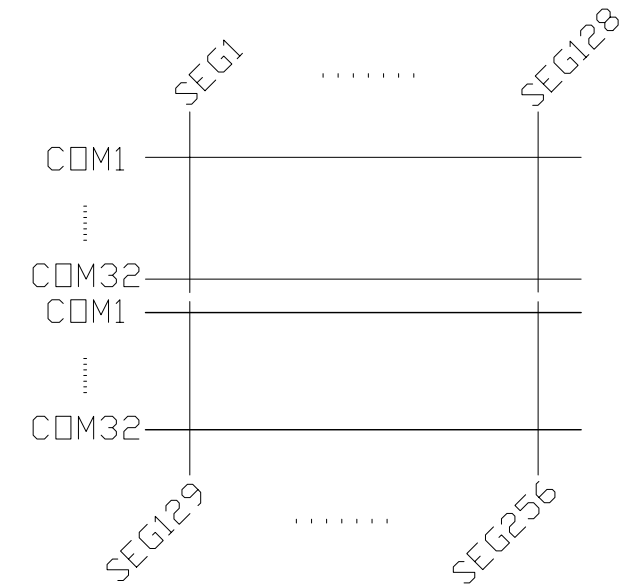
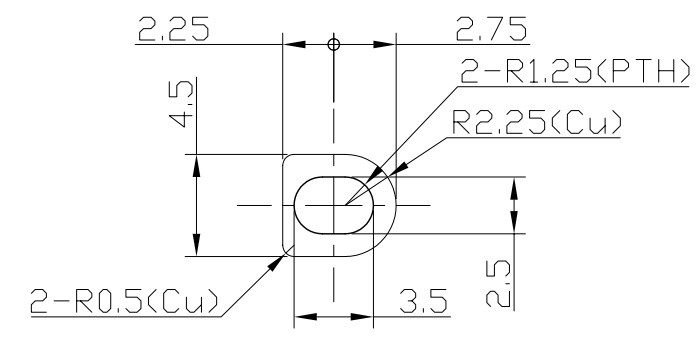


| Terminal | |
|----------|----------|
| No. | Pin Name |
| 1 | VSS |
| 2 | VDD |
| 3 | V0 |
| 4 | RS<CS> |
| 5 | R/W<SID> |
| 6 | E<SCLK> |
| 7 | DB0 |
| 8 | DB1 |
| 9 | DB2 |
| 10 | DB3 |
| 11 | DB4 |
| 12 | DB5 |
| 13 | DB6 |
| 14 | DB7 |
| 15 | PSB |
| 16 | NC |
| 17 | /RST |
| 18 | VDUT |
| 19 | BLA |
| 20 | BLK |



Backlight Circuit
(No. of LEDs = 4pcs)
Scale=free



#A Details
Scale=3/1

- Note:
- *1. LCD Display Type : STN, Negative, Transmissive
 - *2. Viewing Direction : 6H
 - *3. Duty : 1/33 , Bias : 1/5
 - *4. Operating Voltage : 5.0V
 - *5. Backlight Color : White
 - *6. Backlight Supply : 80mA (5.0V TYP.)
 - *7. Operating Temperature : -20°C ~ 70°C
 - *8. Storage Temperature : -30°C ~ 80°C
 - *9. An external VR(5K) must be connected for Contrast Control

| | | |
|-----------|----------------------------|-----------------------|
| C | | |
| B | | |
| A | | |
| Rev/Note | Date | |
| Dwg Title | LM3033DFW-0B-1 Outline Dwg | |
| Dwg No. | MK-002486-1-1 | Date 2008-05-27 |
| Scale | Tol. ±0.5 | Unit mm Paper Size A3 |
| Approved | Checked | Drawn Zhou Huifang |

