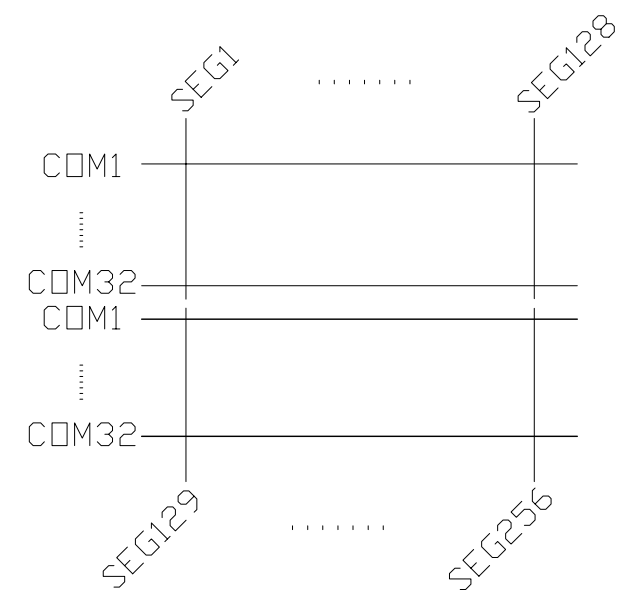
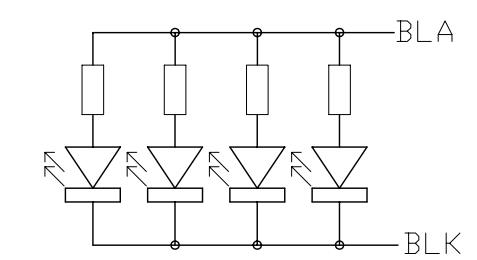


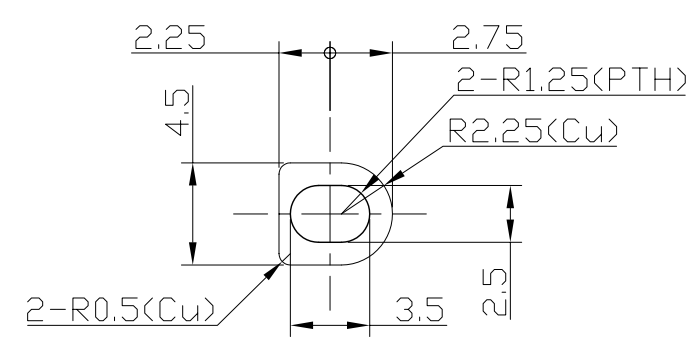
Terminal No.	Pin Name
1	VSS
2	VDD
3	V0
4	RS(CS)
5	R/W(SID)
6	E(SCLK) (*9)
7	DB0
8	DB1
9	DB2
10	DB3
11	DB4
12	DB5
13	DB6
14	DB7
15	PSB
16	NC
17	/RST
18	VDOUT
19	BLA
20	BLK



Wiring Details
Scale=free



Backlight Circuit
(No. of LEDs = 4pcs)
Scale=free



#A Details
Scale=3/1

- Note:
- *1. LCD Display Type : STN, Negative, Transmissive
 - *2. Viewing Direction : 6H
 - *3. Duty : 1/33 , Bias : 1/5
 - *4. Operating Voltage : 3.3V
 - *5. Backlight Color : White
 - *6. Backlight Supply : 80mA (3.3V TYP.)
 - *7. Operating Temperature : -20°C ~ 70°C
 - *8. Storage Temperature : -30°C ~ 80°C
 - *9. An external VR(5K) must be connected for Contrast Control

C		
B		
A		
Rev	Note	Date
Dwg Title LM3033CFW-0B-1 Outline Dwg		
Dwg No. MK-002487-1-1		Date 2008-05-27
Scale 3/2	Tol. ±0.5	Unit mm Paper Size A3
Approved	Checked	Drawn Zhou Huifang

TOPWAY