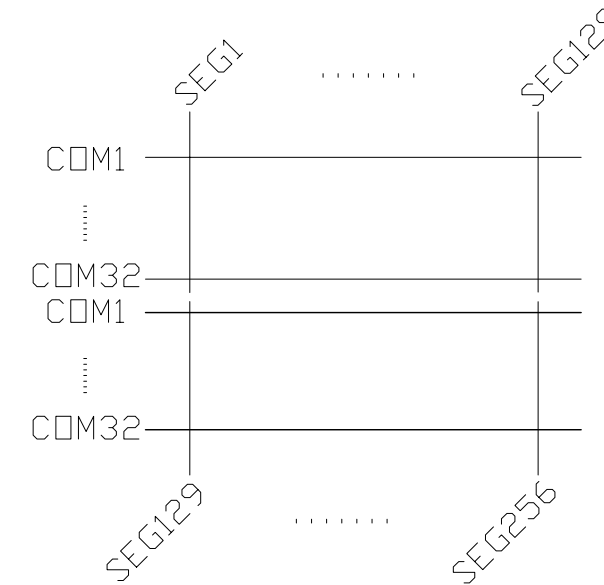
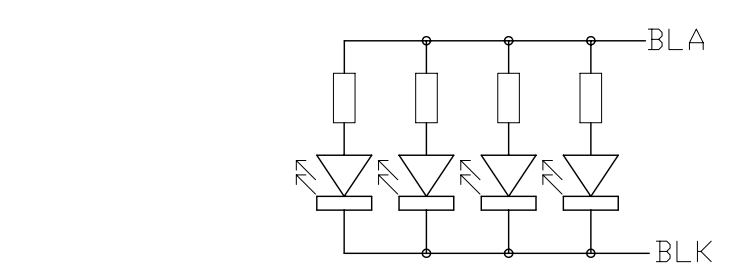


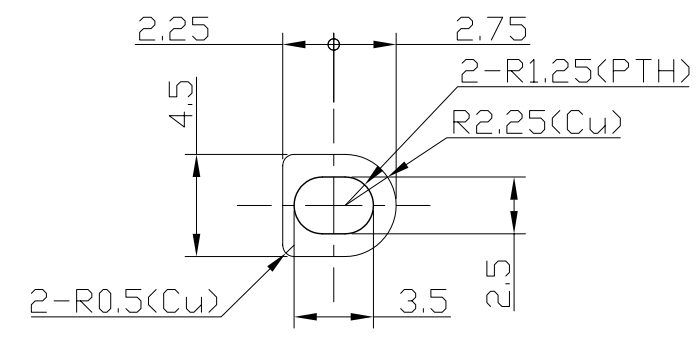
Terminal	
No.	Pin Name
1	VSS
2	VDD
3	V0
4	RS<CS>
5	R/W<SID>
6	E<SCLK> (*9)
7	DB0
8	DB1
9	DB2
10	DB3
11	DB4
12	DB5
13	DB6
14	DB7
15	PSB
16	NC
17	/RST
18	VDUT
19	BLA
20	BLK



Wiring Details
Scale=free



Backlight Circuit
(No. of LEDs = 4pcs)
Scale=free



#A Details
Scale=3/1

- Note:
- *1. LCD Display Type : STN-Gray, Positive, Transflective Δ
 - *2. Viewing Direction : 6H
 - *3. Duty : 1/33 , Bias : 1/5
 - *4. Operating Voltage : 5.0V
 - *5. Backlight Color : White
 - *6. Backlight Supply : 80mA (5.0V TYP.)
 - *7. Operating Temperature : -20°C ~ 70°C
 - *8. Storage Temperature : -30°C ~ 80°C
 - *9. An external VR(5K) must be connected for Contrast Control

C		
B		
A	Typing Correction	Zhou Huifang 2008-06-23
Rev	Note	Date
Dwg	Title	LM3033DDW-0B-1 Outline Dwg
Dwg No.	MK-002490a-1-1	Date 2008-05-27
Scale	3/2	Tol. ± 0.5
Unit	mm	Paper Size A3
Approved	Checked	Drawn Zhou Huifang

