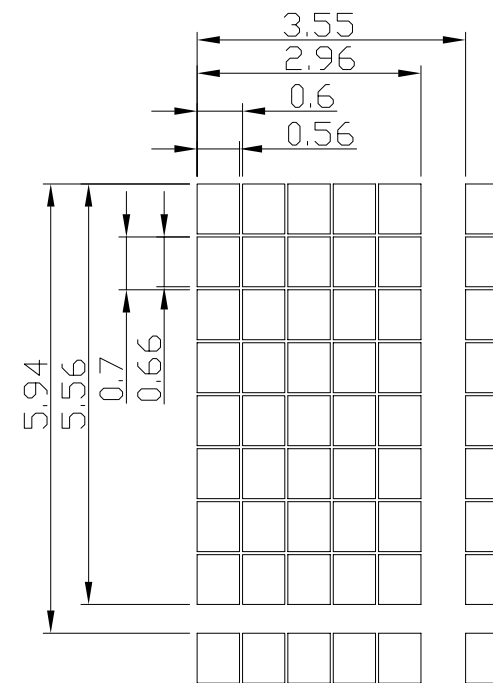
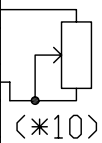


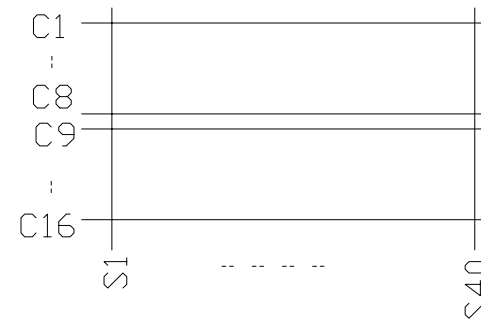
No.	Pin Name
1	VSS
2	VDD
3	V0
4	RS
5	R/W
6	E
7	DB0
8	DB1
9	DB2
10	DB3
11	DB4
12	DB5
13	DB6
14	DB7
15	BLK
16	BLA



Pixels Details
Scale=10/1

Note:

- *1. LCD Display Type : STN, Positive, Transflective
- *2. Viewing Direction : 6H
- *3. Duty : 1/16 ,Bais : 1/5
- *4. Operating Voltage : 5.0V
- *5. Backlight Color : White
- *6. Backlight Supply : 5.0V TYP.
- *7. Operating Temperature : -20°C ~ 70°C
- *8. Storage Temperature : -30°C ~ 80°C
- *9. Driver/Controller IC : ST7066U-0R or equivalent
- *10. An external VR(5k) must be connected for Contrast Control.



Panel Wiring Details
Scale=free

C		
B		
A		
Rev	Note	Date
Dwg Title LMB0820CDW-0R Outline Dwg		
Dwg No.	MK-002862-1-1	Date 2009-05-07
Scale 3/1	Tol. ±0.5	Unit mm Paper Size A3
Approved	Checked	Drawn Cheng Yuanyuan

TOPWAY