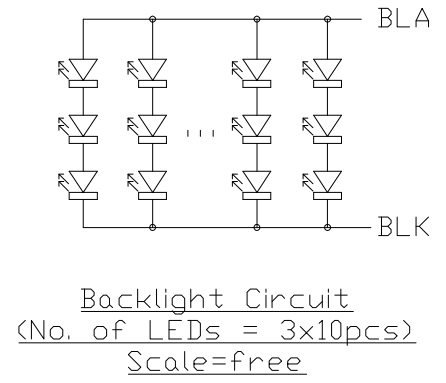


- Note:
- \*1. LCD Display Type: TFT.Transmissive
  - \*2. Pixel Arrangement: RGB-SPRIPE
  - \*3. Operating Voltage (VCC): 3.3V
  - \*4. Backlight Supply (BLVCC): 5.0V
  - \*5. Backlight : LEDs
  - \*6. Color Depth : 262k colors
  - \*7. Operating Temperature : -20°C~70°C ▲
  - \*8. Storage Temperature : -30°C~80°C
  - \*9. K2: 6Pin, P2.0, JST B6B-PH-K-S or equivalent

| K1 Terminal No | Pin Name |
|----------------|----------|
| 1              | DGND     |
| 2              | DCLK     |
| 3              | HSYNC    |
| 4              | VSYNC    |
| 5              | GND      |
| 6              | R0       |
| 7              | R1       |
| 8              | R2       |
| 9              | R3       |
| 10             | R4       |
| 11             | R5       |
| 12             | GND      |
| 13             | G0       |
| 14             | G1       |
| 15             | G2       |
| 16             | G3       |
| 17             | G4       |
| 18             | G5       |
| 19             | GND      |
| 20             | B0       |
| 21             | B1       |
| 22             | B2       |
| 23             | B3       |
| 24             | B4       |
| 25             | B5       |
| 26             | GND      |
| 27             | DEN      |
| 28             | VCC      |
| 29             | VCC      |
| 30             | LRC      |
| 31             | UDC      |
| 32             | NC       |
| 33             | GND      |

| K2 Terminal No | Pin Name |
|----------------|----------|
| 1              | BLVCC    |
| 2              | BLVCC    |
| 3              | BLON     |
| 4              | BLADJ    |
| 5              | BLGND    |
| 6              | BLGND    |



|           |                              |                            |
|-----------|------------------------------|----------------------------|
| C         |                              |                            |
| B         |                              |                            |
| A         | <b>Update Note</b>           | Yang<br>2012-05-15<br>Date |
| Rev       | Note                         | Date                       |
| Dwg Title | LMT057DCDFWU-NBN Outline Dwg |                            |
| Dwg No.   | MK-003606a-1-1               | Date<br>2011-04-09         |
| Scale     | Tol. ±0.5                    | Unit mm Paper Size A3      |
| Approved  | Checked                      | Drawn<br>Yang Lin          |

**TOPWAY**