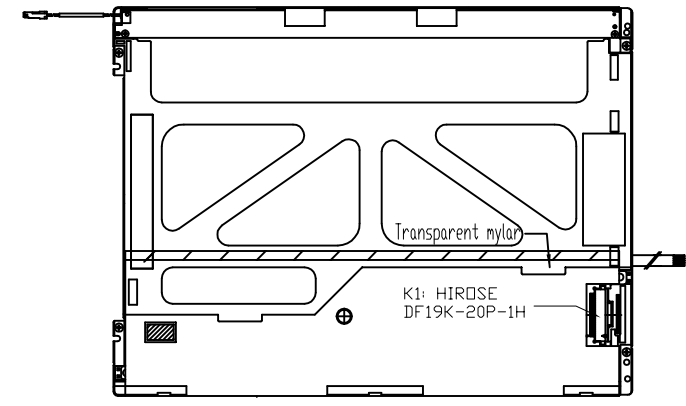


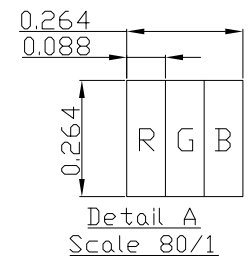
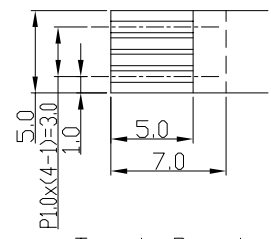
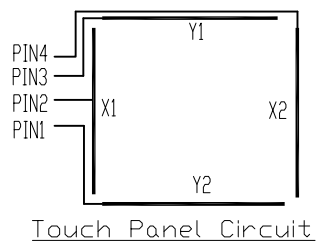
BLA High Voltage Cable Color:Red  
 CN2 Low voltage Cable Color:White  
 BLK

K1 Terminal	
No.	Pin Name
1	VDD
2	VDD
3	GND
4	GND
5	IN0-
6	IN0+
7	GND
8	IN1-
9	IN1+
10	GND
11	IN2-
12	IN2+
13	GND
14	CLK-
15	CLK+
16	GND
17	NC
18	NC
19	GND
20	GND



Back Side View  
Scale 2/5

- Note:
- \*1. LCD Display Type : TFT, Transmissive
  - \*2. Pixel Arrangement : RGB-SPRIPE
  - \*3. Viewing Direction : 12H
  - \*4. Supply Voltage : 3.3V
  - \*5. Backlight Supply : 120mA (19.2V TYP.)
  - \*6. Operating Temperature : -20°C~70°C
  - \*7. Storage Temperature : -30°C~80°C
  - \*8. Connector type :  
 K1(20pin) connector : HIROSE DF19K-20P-1H (or equivalent)  
 CN2(BACKLIGHT) connector : JST BHSR-02VS-1 (or equivalent)  
 MATING connector : JST SM02B-BHSS-1-TB (or equivalent)



B			
A			
Rev/Note		Date	
Dwg Title LMT104SBH01-NNC Outline Dwg			
Dwg No. MK-003720-1-1		Date 2011-09-06	
Scale 2/1	Tol. ±0.5	Unit mm	Paper Size A3
Approved	Checked	Drawn Yang Lin	

