



**深圳市拓普微科技开发有限公司**

**SHENZHEN TOPWAY TECHNOLOGY CO.,LTD.**

# LM6082CFW

## LCD Module User Manual

Prepared by:  Weiguangyang  Date:2017-08-23	Checked by:    Date:	Approved by:    Date:
---	----------------------------------	-----------------------------------

Rev.	Descriptions	Release Date
0.1	Prelimiay release	2017-08-15

## **Table of Content**

<b>1. Basic Specifications .....</b>	<b>3</b>
1.1 Display Specifications .....	3
1.2 Mechanical Specifications .....	3
1.3 Block Diagram .....	3
1.4 Terminal Functions .....	4
<b>2. Absolute Maximum Ratings .....</b>	<b>5</b>
<b>3. Electrical Characteristics .....</b>	<b>5</b>
3.1 DC Characteristics .....	5
3.2 LED Backlight Circuit Characteristics .....	5
3.3 AC Characteristics .....	6
<b>4. Function specifications .....</b>	<b>9</b>
4.1 Adjusting the Display Contrast .....	9
4.2 Basic Setting .....	9
4.3 Resetting the LCD module .....	9
4.4 Display Memory Map .....	9
4.5 Display Commands .....	10
4.5 Display Commands (continue) .....	11
<b>5. Design and Handling Precaution .....</b>	<b>12</b>

## 1. Basic Specifications

### 1.1 Display Specifications

- 1) LCD Display Mode : STN-Blue, Negative, Transmissive
- 2) Display Color : Display Data = "0" : Dark Blue (\*1)  
: Display Data = "1" : Light Gray (\*2)
- 3) Viewing Angle : 6H
- 4) Driving Method : 1/65 duty, 1/9 bias
- 5) Backlight : White LED backlight

Note:

\*1. Color tone may slightly change by Temperature and Driving Condition.

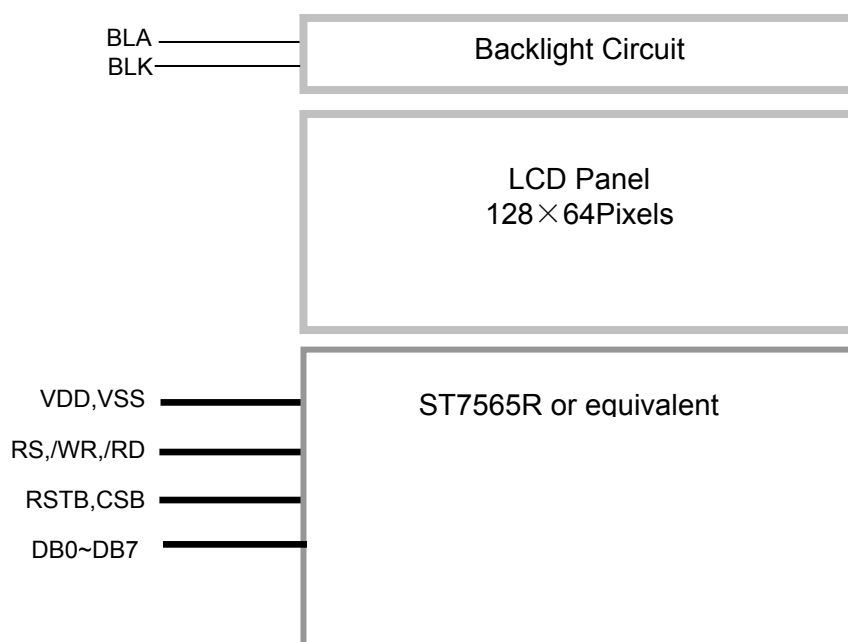
\*2. The Color is defined as the inactive / background color

\*3. Fine Contrast adjustment function is necessary in the application design for optimal display result

### 1.2 Mechanical Specifications

- 1) Outline Dimension : 78.0 x 70.0 x11.6mm (Max)  
(See attached Outline Drawing for details)

### 1.3 Block Diagram



## 1.4 Terminal Functions

PIN NO	PIN Name	I/O	Descriptions		
			8-bit parallel 8080 mode (Default)	8-bit parallel 6800 mode	4-wire Serial mode
1	NC		No connection(leave open)		
2	CSB	Input	Chip Select CSB=L, enable access to the LCD module CSB=H, disable access to the LCD module		
3	VSS	Supply	Negative power supply,0V		
4	VDD	Supply	Positive power supply		
5	NC		No connection(leave open)		
6	RS	Input	Register Select RS = H, Transferring the Display Data RS = L, Transferring the Control Data		
7	/WR (R/W)	Input	/WR=L→H, /RD=H; Data or Instruction latch into the LCD module	R/W=H,E=H; Data or Status read form the LCD module	Not used, Leave open or pull Hi
8	/RD (E)	Input	/WR=H, /RD=L; Data or Status read form the LCD module	R/W=L,E=H→L; Data or Status latch into the LCD module	
9	DB0	I/O	8-bit Data bus; Three state I/O terminal for display data or instruction data when /CS=H, DB0~DB7=High Impedance		Not used, Leave open
:	:	I/O			
14	DB5	I/O			
15	DB6(SCLK)	I/O			Serial clock input
16	DB7(SDA)	I/O			Serial data input
17	BLA	Power	Positive power supply for LED backlight		
18	BLK	Power	Negative power supply for LED backlight, 0V		
19	RSTB	Input	Reset signal RSTB = L, Initialization is executed RSTB= H, Normal running.		
20	NC		No connection(leave open)		

## Interface setting:

Setting	8-bit parallel 6800 mode	8-bit parallel 8080 mode (Default)	4-wire Serial mode
JP3	OPEN	OPEN	CLOSE
JP4	CLOSE	CLOSE	OPEN
JP5	OPEN	CLOSE	—
JP6	CLOSE	OPEN	—

## Cautions:

“—” indicates fixed to either “OPEN” or to “CLOSE”

## 2. Absolute Maximum Ratings

Items	Symbol	Min.	Max.	Unit	Condition
Supply Voltage	$V_{DD}$	0	+3.6	V	$V_{SS} = 0V$
Input Voltage	$V_{IN}$	0	+3.3	V	$V_{SS} = 0V$
Operating Temperature	$T_{OP}$	-20	+70	°C	No Condensation
Storage Temperature	$T_{ST}$	-30	+80	°C	No Condensation

Cautions:

Any Stresses exceeding the Absolute Maximum Ratings may cause substantial damage to the device. Functional operation of this device at other conditions beyond those listed in the specification is not implied and prolonged exposure to extreme conditions may affect device reliability.

## 3. Electrical Characteristics

### 3.1 DC Characteristics

$V_{SS}=0V, V_{DD}=3.3V, T_{OP}=25^{\circ}C$

Items	Symbol	MIN.	TYP.	MAX.	Unit	Condition / Application Pin
Operating Voltage	$V_{DD}$	2.7	-	3.3	V	VDD
Input High Voltage	$V_{IH}$	$0.7 \times V_{DD}$	-	$V_{DD}$	V	RSTB, CSB, RS SDA, SCLK
Input Low Voltage	$V_{IL}$	$V_{SS}$	-	$0.3 \times V_{DD}$	V	
Operating Current	$I_{DD}$	-	0.33	2.5	mA	VDD

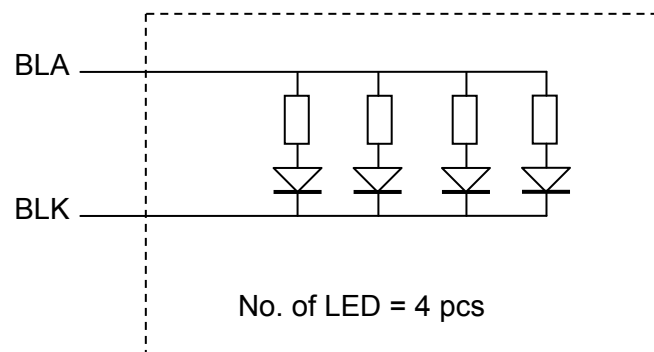
### 3.2 LED Backlight Circuit Characteristics

$BLK=0V, BLA=3.3V, T_{OP}=25^{\circ}C$

Items	Symbol	MIN.	TYP.	MAX.	Unit	Applicable Pin
Forward Voltage	BLA	-	3.3	-	V	BLA
Forward Current	$I_{BLA}$	-	46	80	mA	BLA

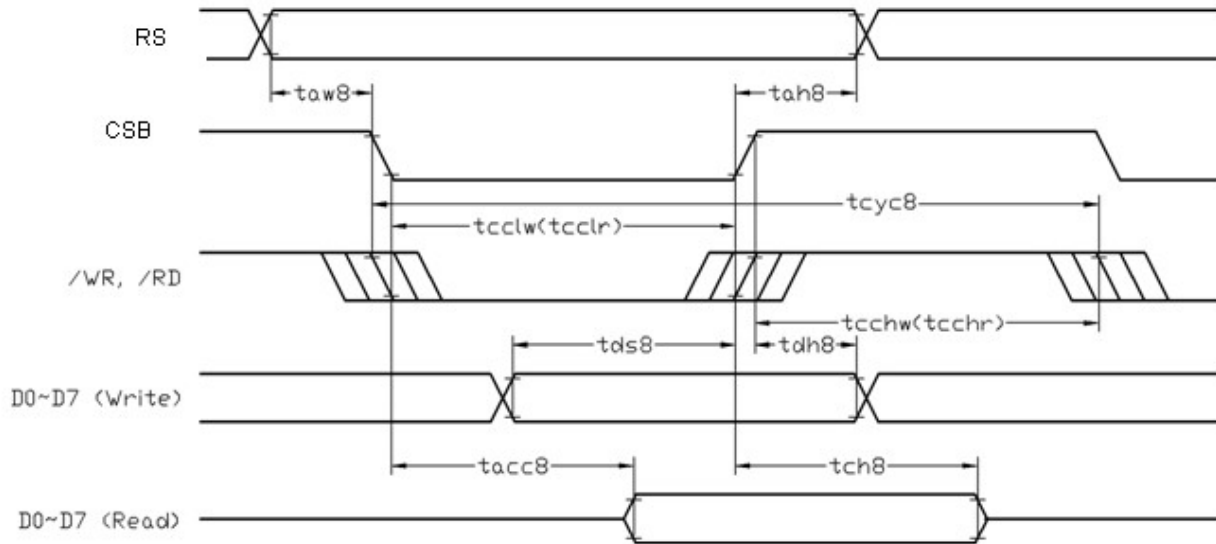
Cautions:

Exceeding the recommended driving current could cause substantial damage to the backlight and shorten its lifetime.



### 3.3 AC Characteristics

#### 3.3.1 8080 Mode System Bus Timing



$V_{SS}=0V, V_{DD}=3.3V, T_{OP}=25^{\circ}C$

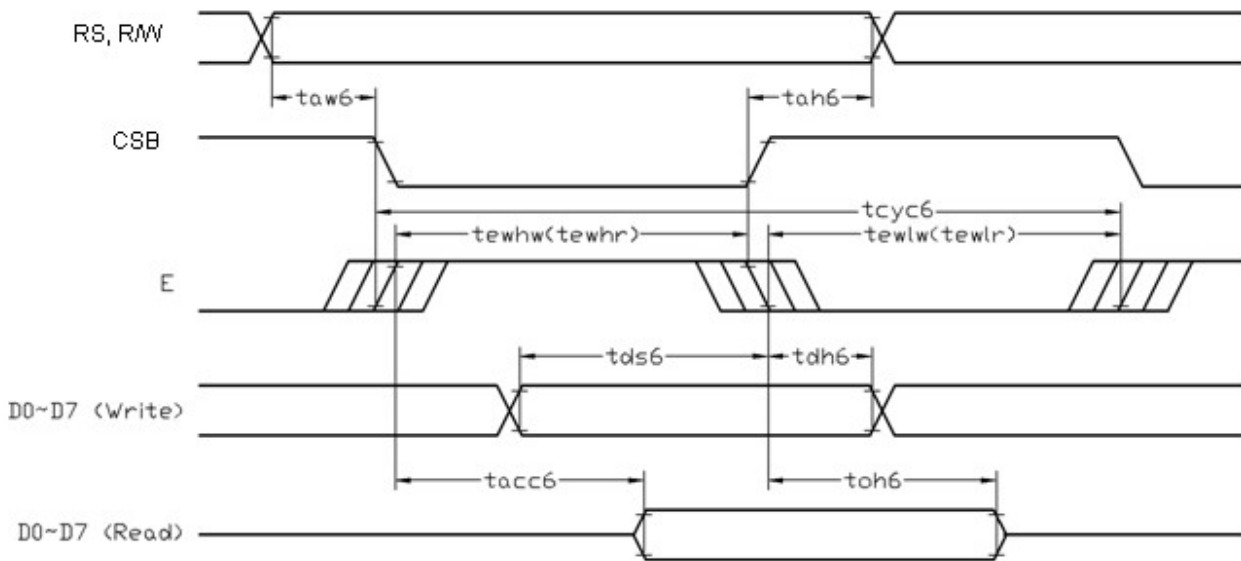
Item	Symbol	MIN.	TYP.	MAX.	Unit
System cycle time	tcyc8	312	-	-	ns
Address setup time (RS)	taw8	10	-	-	ns
Address hold time (RS)	tah8	13	-	-	ns
Control LOW pulse width (RD)	tcclr	182	-	-	ns
Control LOW pulse width (WR)	tcclw	104	-	-	ns
Control HIGH pulse width (RD)	tcchr	104	-	-	ns
Control HIGH pulse width (WR)	tcchw	104	-	-	ns
Data setup time	tds8	52	-	-	ns
Data hold time	tdh8	13	-	-	ns
/RD access time (*2)	tacc8	-	-	91	ns
Output disable time (*2)	tch8	7	-	65	ns

Note:

\*1. Input signal rise/fall time should be less than 15ns .

\*2.All timing is using 20% and 80% of VDD as the reference.

### 3.3.2 6800 Mode System Bus Timing



$V_{SS}=0V, V_{DD}=3.3V, T_{OP}=25^{\circ}C$

Item	Symbol	MIN.	TYP.	MAX.	Unit
System cycle time	$t_{cyc6}$	312	-	-	ns
Address setup time (RS)	$t_{aw6}$	13	-	-	ns
Address hold time (RS)	$t_{ah6}$	13	-	-	ns
Control LOW pulse width (E)	$t_{ewlr}$	104	-	-	ns
Control LOW pulse width (E)	$t_{ewlw}$	104	-	-	ns
Control HIGH pulse width (E)	$t_{ewhr}$	182	-	-	ns
Control HIGH pulse width (E)	$t_{ewhw}$	104	-	-	ns
Write data setup time	$t_{ds6}$	52	-	-	ns
Write data hold time	$t_{dh6}$	13	-	-	ns
/RD access time (*2)	$t_{acc6}$	-	-	91	ns
Output disable time (*2)	$t_{ch6}$	7	-	65	ns

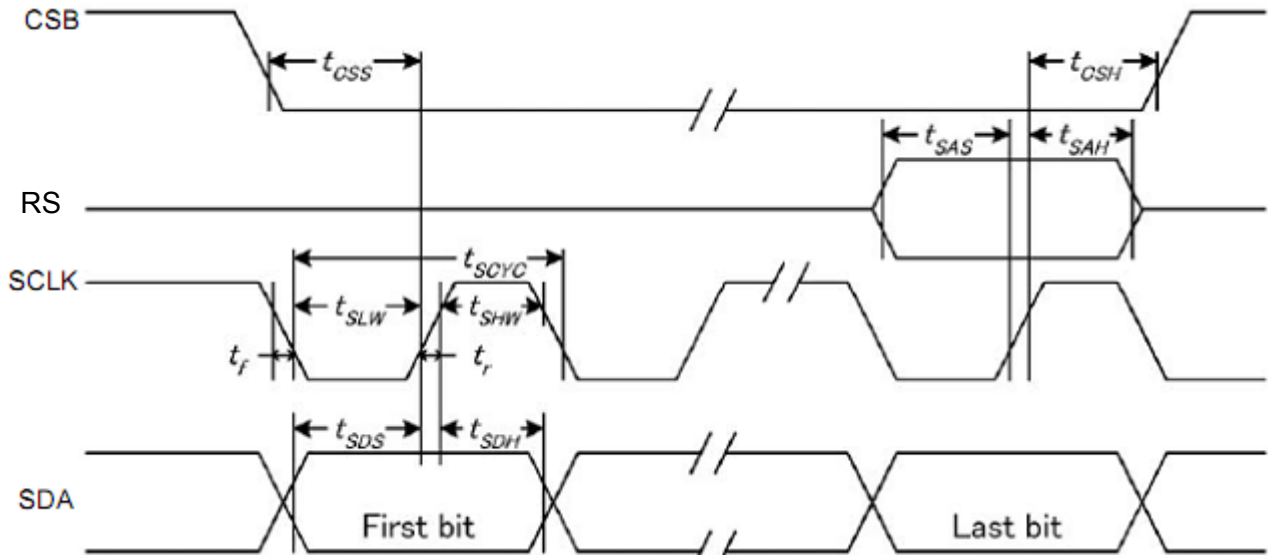
Note:

\*1. Input signal rise/fall time should be less than 15ns .

\*2.  $CL=100pF$

\*3.All timing is using 20% and 80% of VDD as the reference.

3.3.3 Serial Mode Interface



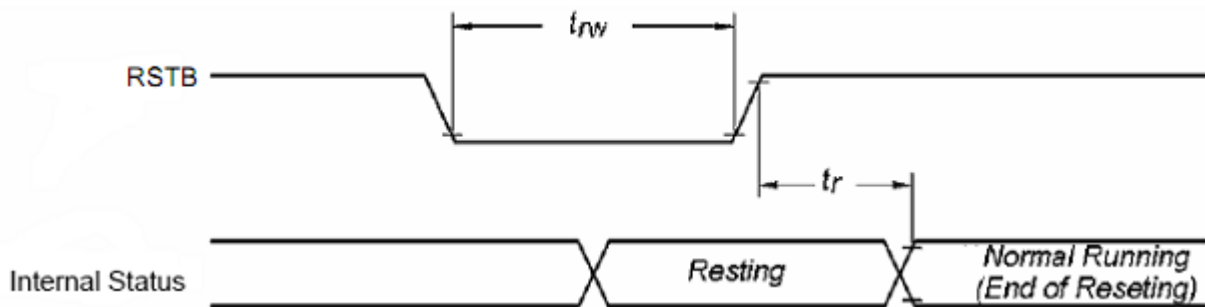
V<sub>SS</sub>=0V, V<sub>DD</sub>=3.3V, T<sub>OP</sub>=25°C

Item	Symbol	MIN.	TYP.	MAX.	Unit
Serial Clock Period	tscyc	65	-	-	ns
SCLK "H" pulse width	tshw	33	-	-	ns
SCLK "L" pulse width	tslw	33	-	-	ns
Address setup time (RS)	tsas	26	-	-	ns
Address hold time (RS)	tsah	13	-	-	ns
Data setup time	tsds	26	-	-	ns
Data hold time	tsdh	13	-	-	ns
CSB-SCL time	tcss	26	-	-	ns
CSB-SCL time	tcsH	52	-	-	ns

Note:

- \*1. Input signal rise/fall time should be less than 15ns .
- \*2. CL=100pF
- \*3.All timing is using 20% and 80% of VDD as the reference.

3.3.4 Reset Timing



V<sub>SS</sub>=0V, V<sub>DD</sub>=3.3V, T<sub>OP</sub>=25°C

Item	Symbol	MIN.	TYP.	MAX.	Unit
Reset time	tr	-	-	2.5	μs
Reset LOW pulse width	trw	2.5	-	-	μs

Note:

- \*1.All timing is using 20% and 80% of VDD as the reference.



## 4. Function specifications

### 4.1 Adjusting the Display Contrast

- This LCD module equipped with latest digital contrast adjustment function.
- Its display contrast could be adjusted by MCU command. (please see the command tables for details)
- It is recommended to provide a contrast adjustment interface for end-user, where the best display result could meet the individual preference in mass production.

### 4.2 Basic Setting

To drive the LCD module correctly and provide normally display, please use the following setting

- ADC = 0 (normal)
- SHL select = 1 (reverse)
- LCD Bias Select = 1/9
- Initial Display Line = 0
- Entire Display ON/OFF = OFF (normal)
- Reverse Display ON/OFF = OFF (normal)
- Set Power Control Set:  
voltage follower = ON, voltage converter = ON, voltage regulator = ON
- Booster Set = 4x
- Display ON/OFF = ON

Note:

\*1. These setting/commands should issue the LCD module while start up.

\*2. See the Display Commands section for details.

### 4.3 Resetting the LCD module

The LCD module should be initialized by using RSTB terminal.

While turning on the VDD and VSS power supply, maintain RSTB terminal at LOW level. After the power supply stabilized, release the reset terminal (RSTB=HIGH)

### 4.4 Display Memory Map

Page address	data	LCD Display (front view)	
0	DB0 ⋮ DB7	128x64 pixels	
1	DB0 ⋮ DB7		
⋮	⋮		
6	DB0 ⋮ DB7		
7	DB0 ⋮ DB7		
Column Address		00h	→ 7Fh

Note:

\*1. ADC = 0 (normal)

\*2. SHL Selection = 1 (reverse)

\*3. Initial Display Line = 0

## 4.5 Display Commands

No.	Instructions	Code											Function
		A0	/RD	/WR	DB7	DB6	DB5	DB4	DB3	DB2	DB1	DB0	
1	Display ON/OFF	0	1	0	1	0	1	0	1	1	1	DON	DON=0, display off DON=1, display on
2	Set Start Line	0	1	0	0	1	S5	S4	S3	S2	S1	S0	Sets the display RAM display start line address
3	Set Page Address	0	1	0	1	0	1	1	Y3	Y2	Y1	Y0	Set the display RAM page address
4	Set Column Address (Upper-4-bits)	0	1	0	0	0	0	1	X7	X6	X5	X4	Set the upper-4-bit of column address counter
	Set Column Address (Lower-4-bits)	0	1	0	0	0	0	0	X3	X2	X1	X0	Set the lower-4-bit of column address counter
5	Read Status	0	0	1	Status			0	0	0	0	0	Read the status data
6	Write Data	1	1	0	Write data						Write data into the display RAM		
7	Read Data	1	0	1	Read Data						Read data form the display RAM		
8	ADC Select	0	1	0	1	0	1	0	0	0	0	ADC	Sets the display RAM address SEG output correspondence ADC= 0, normal. ADC=1, reverse
9	Normal/Reverse Display	0	1	0	1	0	1	0	0	1	1	REV	REV=0, Normal display REV=1, Reverse display
10	Entire Display ON/OFF	0	1	0	1	0	1	0	0	1	0	EON	EON=0, Normal display EON=1, Entire display ON
11	Set LCD Bias	0	1	0	1	0	1	0	0	0	1	BIAS	Set the LCD driving voltage bias BIAS=0, 1/9 BIAS BIAS=1, 1/7 BIAS
12	Set Read-Modify-Write	0	1	0	1	1	1	0	0	0	0	0	Enter the "Read-Modify-Write" mode column address counter will increase in each "Write Display Data", and will not increase in each "Read Display Data command"
13	END	0	1	0	1	1	1	0	1	1	1	0	Exit Read-modify-Write mode
14	Reset	0	1	0	1	1	1	0	0	0	1	0	Software reset
15	SHL Select	0	1	0	1	1	0	0	SHL	*	*	*	Set the COM scanning direction SHL=0, Normal display SHL=1, Flipped in y direction * = don't care terms
16	Power Control Set	0	1	0	0	0	1	0	1	VC	VR	VF	Set the power circuit operation mode VF: LCD Supply Voltage Follower VR: LCD Supply Voltage Regulator VC: LCD Supply Voltage Converter (1=ON, 0=OFF)
17	Regulator Resistor Select	0	1	0	0	0	1	0	0	Radio setting			Set the built-in resistor ratio (R1/R2)

#### 4.5 Display Commands (continue)

No.	Instructions	Code											Function
		A0	/RD	/WR	DB7	DB6	DB5	DB4	DB3	DB2	DB1	DB0	
18	Electronic volume mode set	0	1	0	1	0	0	0	0	0	0	1	Set reference voltage mode
	Electronic volume register set	0	1	0	*	*	E V 5	E V 4	E V 3	E V 2	E V 1	E V 0	Set reference voltage register (Display contrast value)
19	Booster Ratio Set	0	1	0	1	1	1	1	1	0	0	0	Select booster ratio
		0	1	0	0	0	0	0	0	0	0	step	00=2x, 3x, 4x; 01=5x. 11=6x
20	Power Save	-	-	-	-	-	-	-	-	-	-	-	Compound Instruction: Display OFF + Entire Display ON
21	NOP	0	1	0	1	1	1	0	0	0	1	1	No operation

Note: \*1. Do not use any other command not listed, or the system malfunction may result.

\*2. For the details of the Display Commands, please refer to ST7565R data sheet.

##### 4.5.1 Power off the LCD Module

It recommends that enter Sleep Mode before power off the LCD module.

##### 4.5.2 Refreshing The LCD Module

It recommends that the operating modes and display contents be refreshed periodically to prevent the effect of unexpected noise.

## 5. Design and Handling Precaution

1. The LCD panel is made by glass. Any mechanical shock (eg. dropping from high place) will damage the LCD module.
2. Do not add excessive force on the surface of the display, which may cause the Display color change abnormally.
3. The polarizer on the LCD is easily get scratched. If possible, do not remove the LCD protective film until the last step of installation.
4. Never attempt to disassemble or rework the LCD module.
5. Only Clean the LCD with Isopropyl Alcohol or Ethyl Alcohol. Other solvents (eg. water) may damage the LCD.
6. When mounting the LCD module, make sure that it is free from twisting, warping and distortion.
7. Ensure to provide enough space (with cushion) between case and LCD panel to prevent external force adding on it, or it may cause damage to the LCD or degrade the display result.
8. Only hold the LCD module by its side. Never hold LCD module by add force on the heat seal or TAB.
9. Never add force to component of the LCD module. It may cause invisible damage or degrade of the reliability.
10. LCD module could be easily damaged by static electricity. Be careful to maintain an optimum anti-static work environment to protect the LCD module.
11. When peeling off the protective film from LCD, static charge may cause abnormal display pattern. It is normal and will resume to normal in a short while.
12. Take care and prevent get hurt by the LCD panel sharp edge.
13. Never operate the LCD module exceed the absolute maximum ratings.
14. Keep the signal line as short as possible to prevent noisy signal applying to LCD module.
15. Never apply signal to the LCD module without power supply.
16. IC chip (eg. TAB or COG) is sensitive to the light. Strong lighting environment could possibly cause malfunction. Light sealing structure casing is recommend.
17. LCD module reliability may be reduced by temperature shock.
18. When storing the LCD module, avoid exposure to the direct sunlight, high humidity, high temperature or low temperature. They may damage or degrade the LCD module