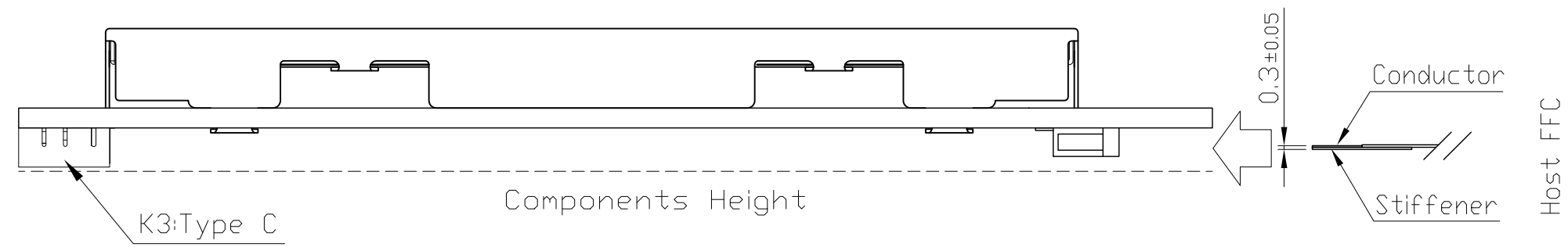
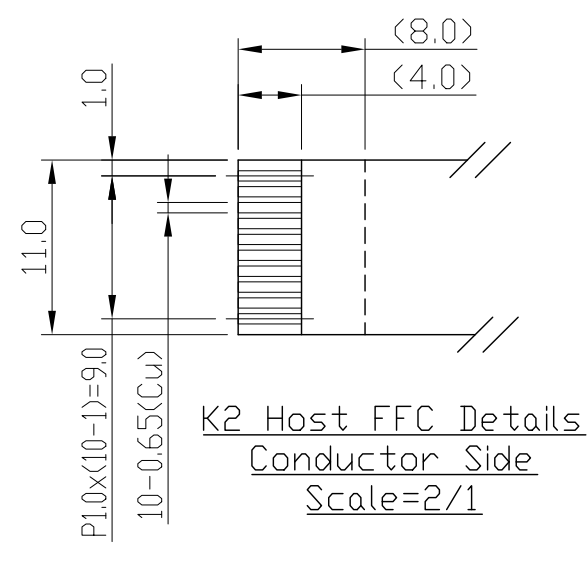
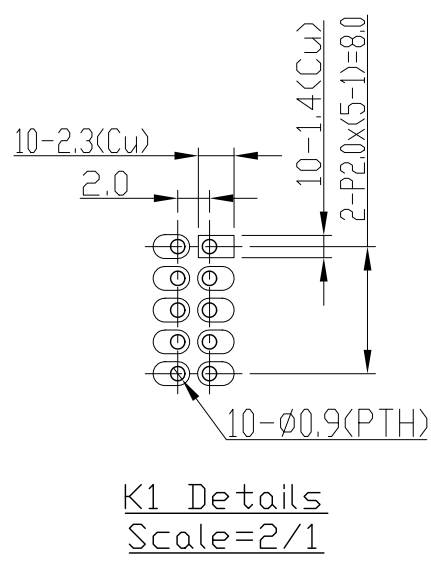


K1/K2 Terminal	
No.	Pin Name
1	VDD
2	VDD
3	VDD
4	NC
5	RX
6	TX
7	RTS(BUSY)
8	VSS
9	VSS
10	VSS



- Note:
- \*1. LCD Display Type : TFT,Transmissive (Full View)
  - \*2. Operating Voltage : 5.0V
  - \*3. Backlight Color : White LEDs
  - \*4. Pixel Arrangement : RGB-STRIPE
  - \*5. Color Depth : 65k Colors
  - \*6. Signal Interface : RS232C
  - \*7. Connector:
    - K1: P2.0,2x5 PCB Pad
    - K2: 10Pin P1.0 FFC Socket Or Equivalent
    - K3: USB Type-C 16Pin
  - \*8. Operating Temperature : -20°C~70°C
  - \*9. Storage Temperature : -30°C~80°C



C				
B				
A				
Rev	Note	Date		
Dwg Title HMT029BTA Outline Dwg				
Dwg No. MK-008471-1-1		Date 2024-05-22		
Scale 2/1	Tol. ±0.3	Unit mm	Paper Size A3	
Approved	Checked	Drawn Luo Lin		

